

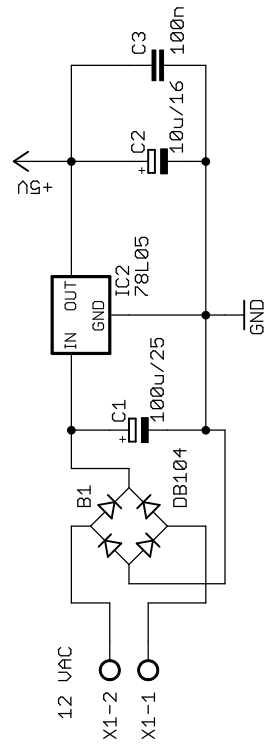
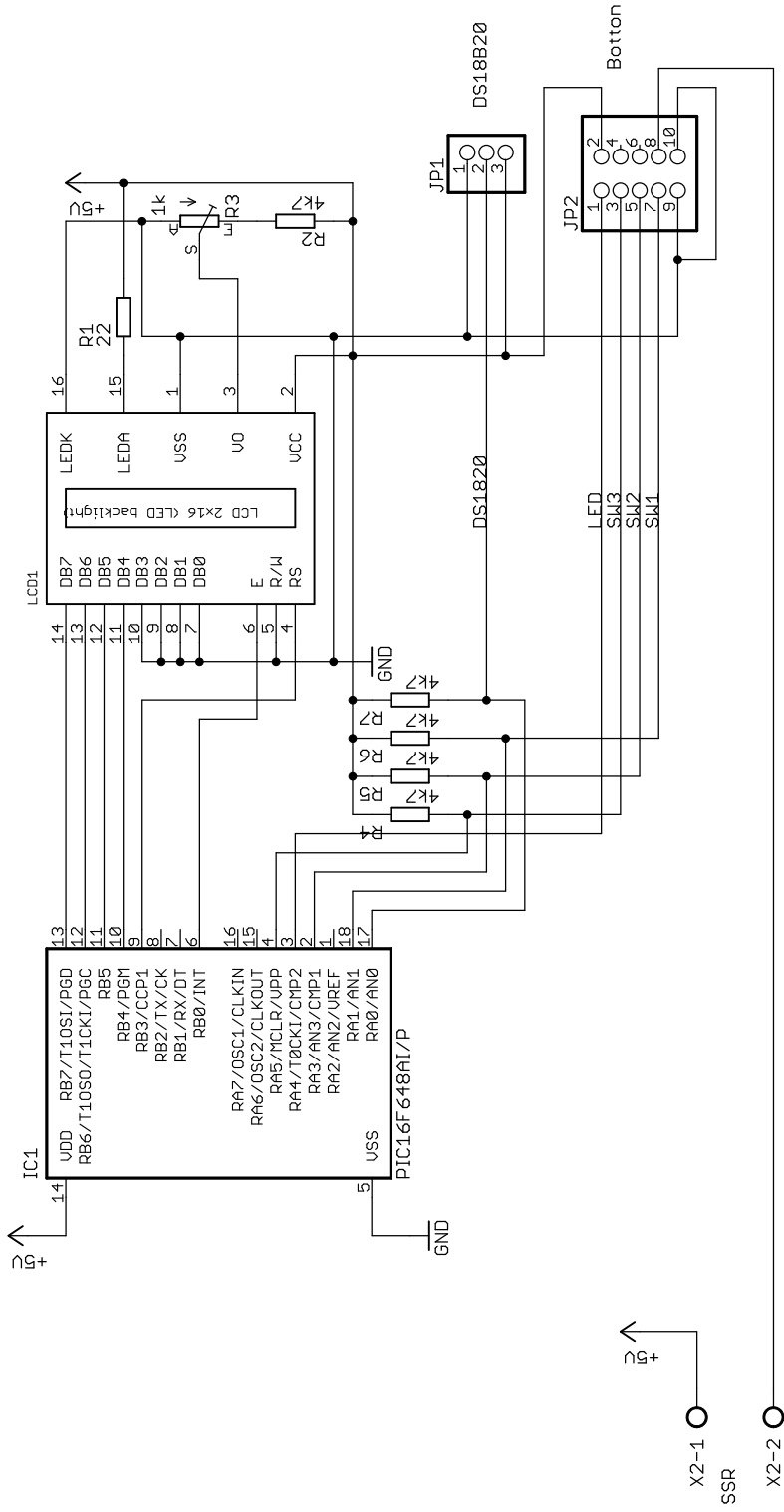
DV Electronics

TITLE: tcswir1chb

Document Number: Temperature Controller System Wiring

REV:

Date: 10/04/2012 01:54:20 p.m. **Sheet:** 1/1

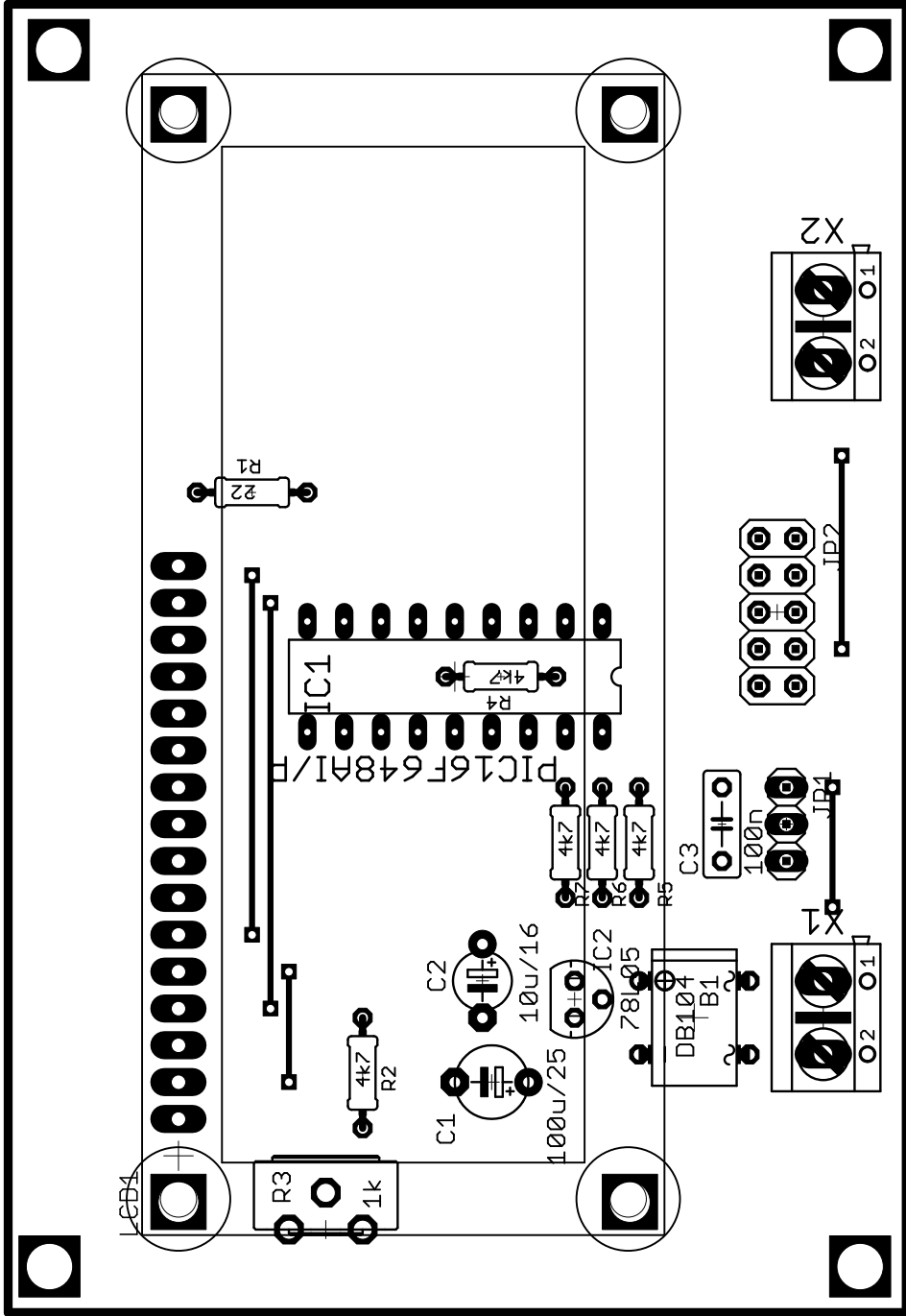


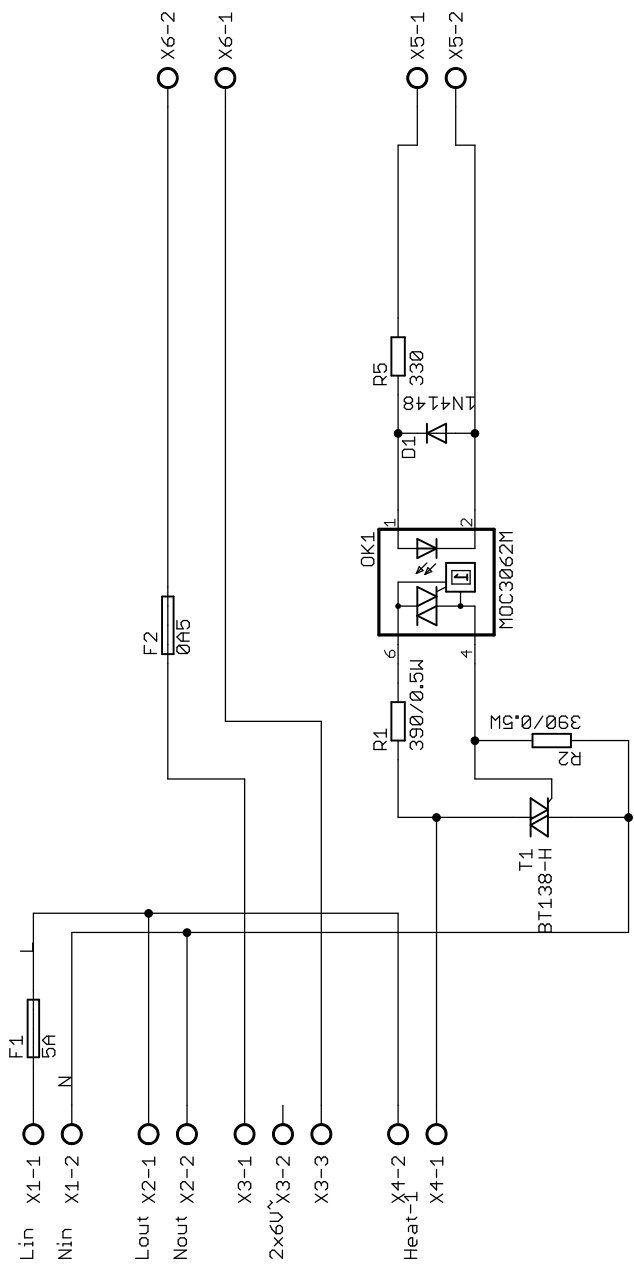
DV Electronics

TITLE: TEMPDS2

Document Number: Temp Control hite DS18B20

Date: 10/04/2012 11:11:03 a.m. Sheet: 1/1

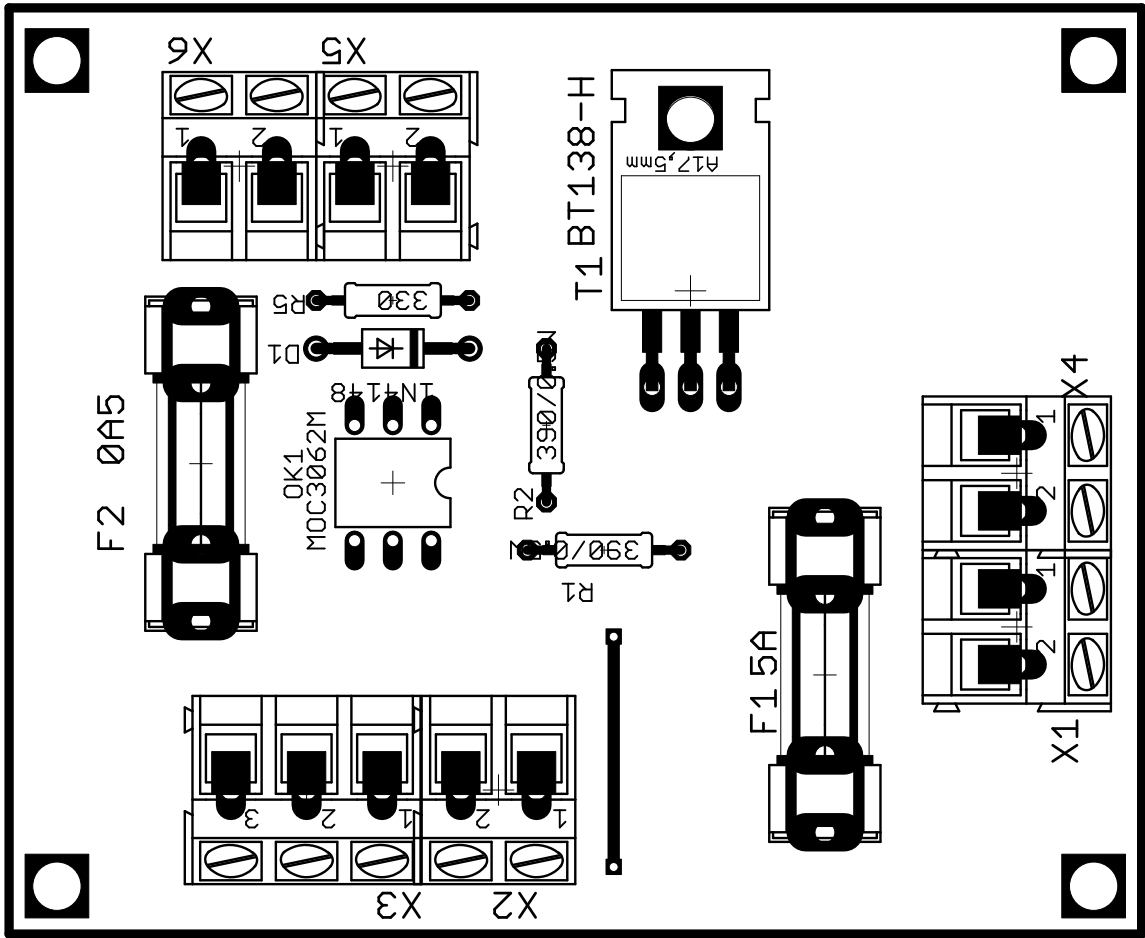


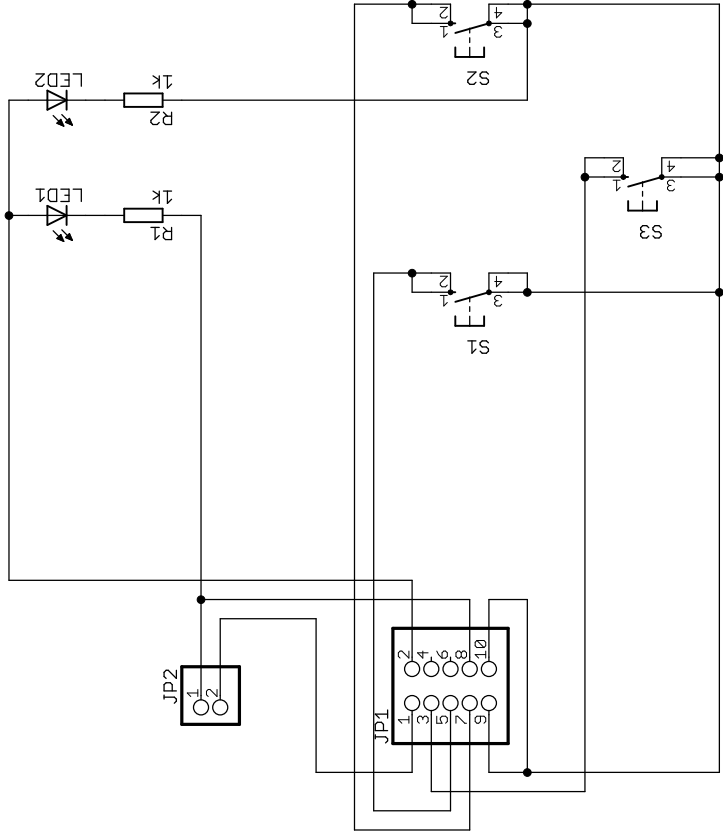


TITLE: tempsrr1

Document Number: Heating Control SSR REV:

Date: 10/04/2012 11:30:48 a.m. Sheet: 1/1





DV Electronics

TITLE: botton

Document Number:

REV:

Date: 10/04/2012 12:03:19 p.m.

Sheet: 1/1

