

CDX-S2250/S2250S

SERVICE MANUAL

Ver. 1.0 2004.11

AEP Model
UK Model



- The tuner and CD sections have no adjustments.

Model Name Using Similar Mechanism	NEW
CD Drive Mechanism Type	MG-611TA-186//K
Optical Pick-up Name	KSS1000E

SPECIFICATIONS

CD Player section

Signal-to-noise ratio: 120 dB
Frequency response: 10 – 20,000 Hz
Wow and flutter: Below measurable limit

Tuner section

FM

Tuning range: 87.5 – 108.0 MHz
Aerial terminal: External aerial connector
Intermediate frequency: 10.7 MHz/450 kHz
Usable sensitivity: 9 dBf
Selectivity: 75 dB at 400 kHz
Signal-to-noise ratio: 67 dB (stereo), 69 dB (mono)
Harmonic distortion at 1 kHz: 0.5 % (stereo), 0.3 % (mono)
Separation: 35 dB at 1 kHz
Frequency response: 30 – 15,000 Hz

MW/LW

Tuning range: MW: 531 – 1,602 kHz
LW: 153 – 279 kHz
Aerial terminal: External aerial connector
Intermediate frequency: 10.7 MHz/450 kHz
Sensitivity: MW: 30 μ V, LW: 40 μ V

Power amplifier section

Outputs: Speaker outputs (sure seal connectors)
Speaker impedance: 4 – 8 ohms
Maximum power output: 50 W \times 4 (at 4 ohms)

General

Outputs: Audio outputs terminal (rear/sub switchable)
Power aerial relay control terminal
Power amplifier control terminal
Telephone ATT control terminal
Aerial input terminal
Inputs: Aerial input terminal
Tone controls: Low: \pm 10 dB at 60 Hz (XPLOD)
Mid: \pm 10 dB at 1 kHz (XPLOD)
High: \pm 10 dB at 10 kHz (XPLOD)
Power requirements: 12 V DC car battery (negative earth)
Dimensions: Approx. 178 \times 50 \times 178 mm (w/h/d)
Mounting dimensions: Approx. 182 \times 53 \times 161 mm (w/h/d)
Mass: Approx. 1.2 kg
Supplied accessories: Parts for installation and connections (1 set)
Front panel case (1)

Design and specifications are subject to change without notice.

FM/MW/LW COMPACT DISC PLAYER

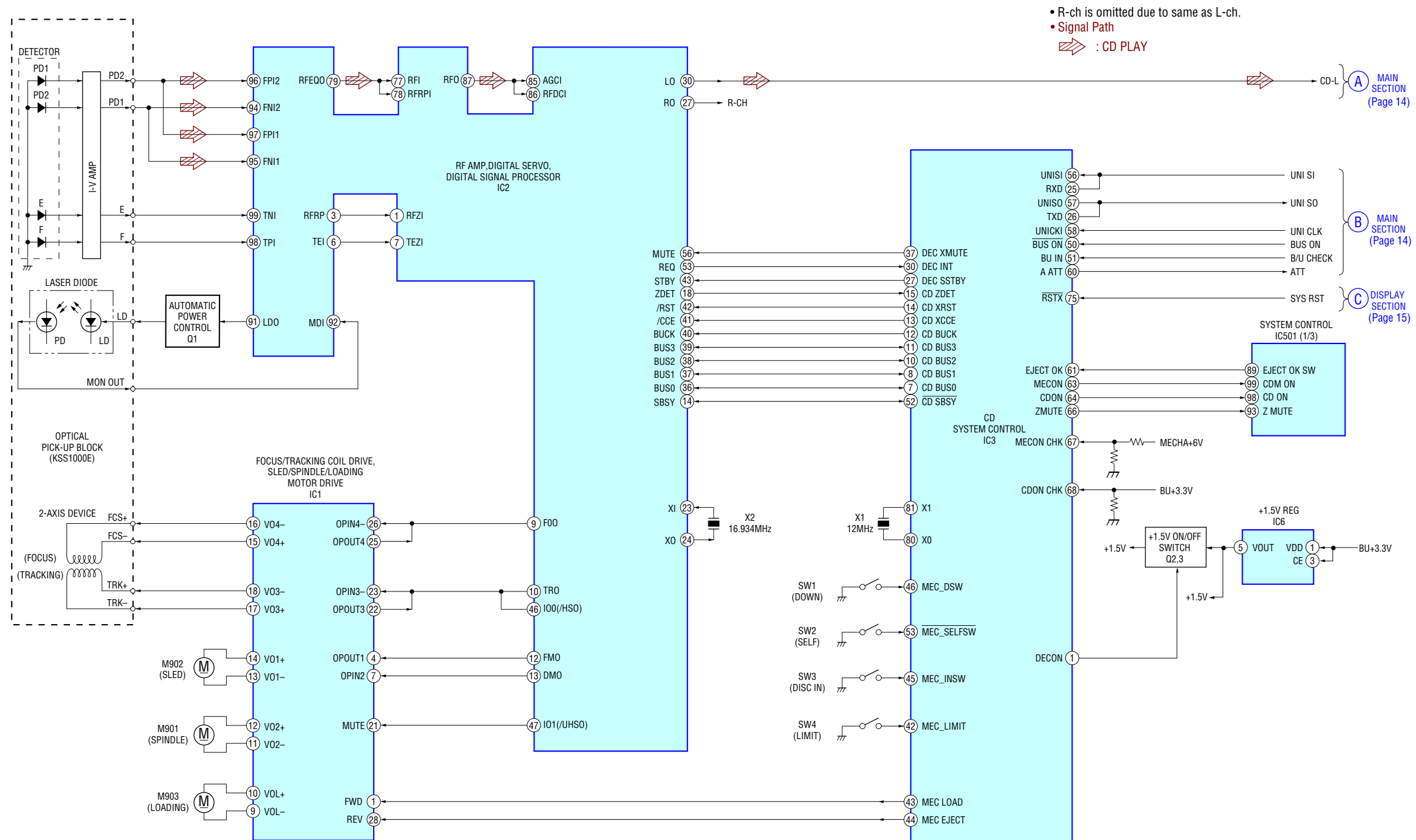
9-879-324-01
2004K0479-1
© 2004.11

Sony Corporation
e Vehicle Company
Published by Sony Engineering Corporation

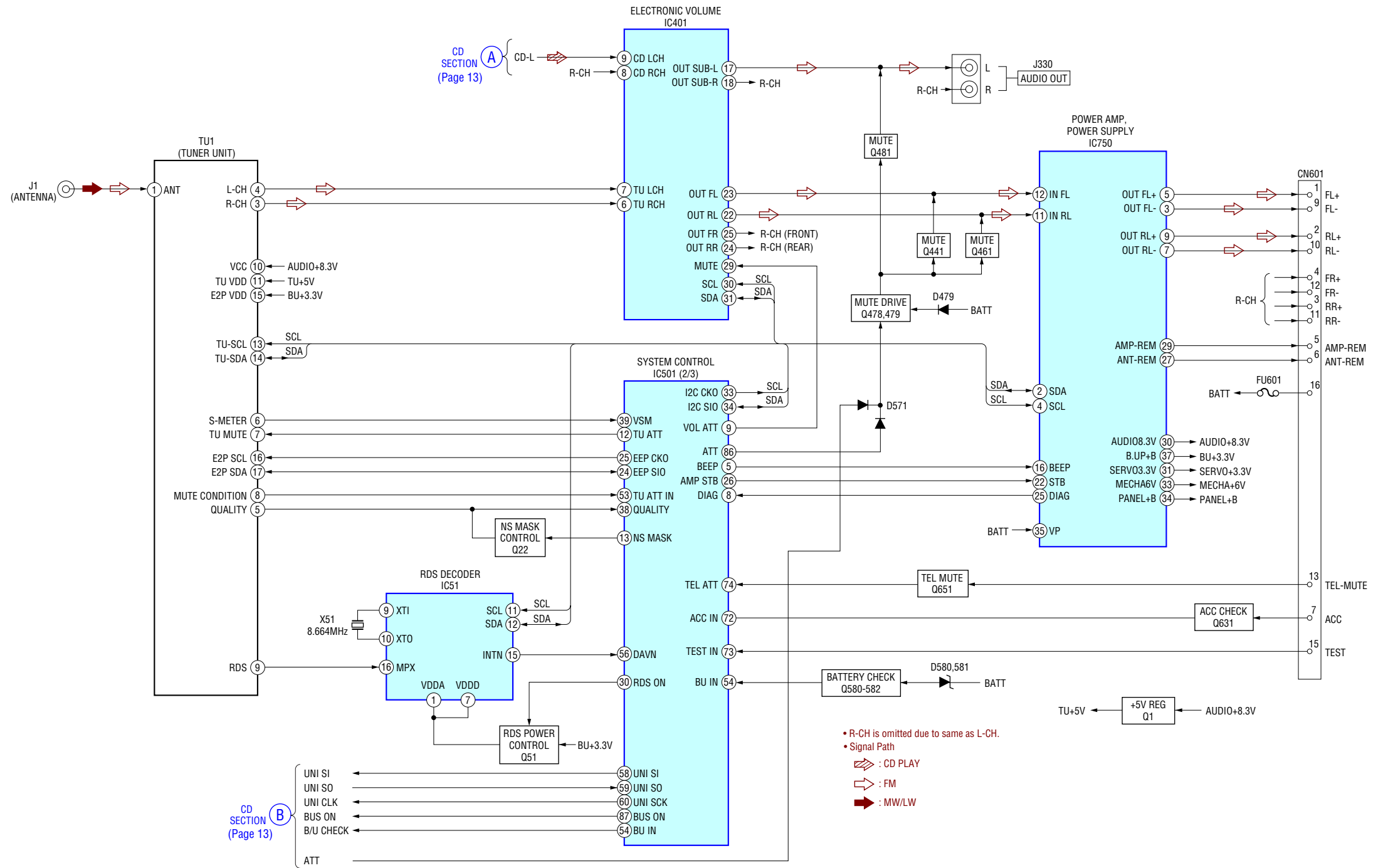
SONY®

SECTION 3 DIAGRAMS

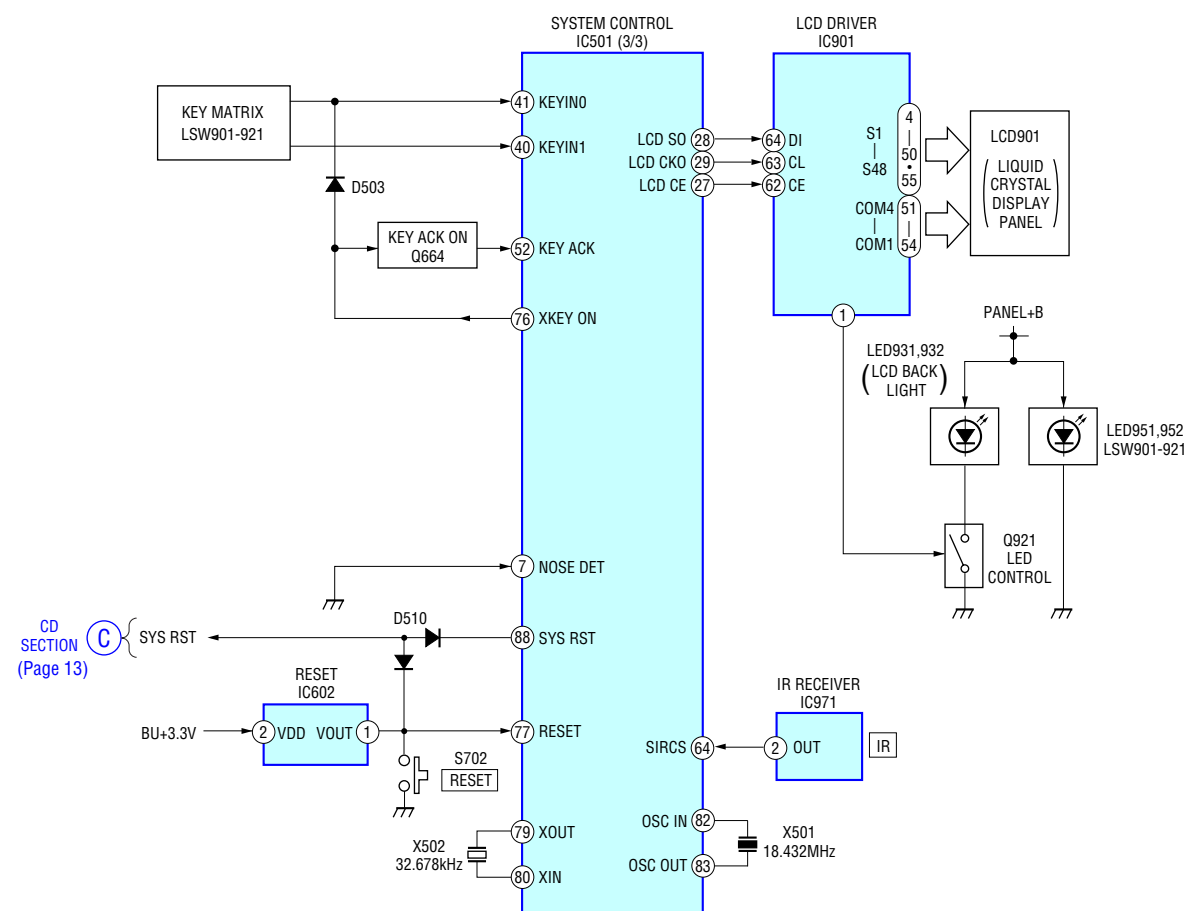
3-1. BLOCK DIAGRAM – CD SECTION –



3-2. BLOCK DIAGRAM – MAIN SECTION –

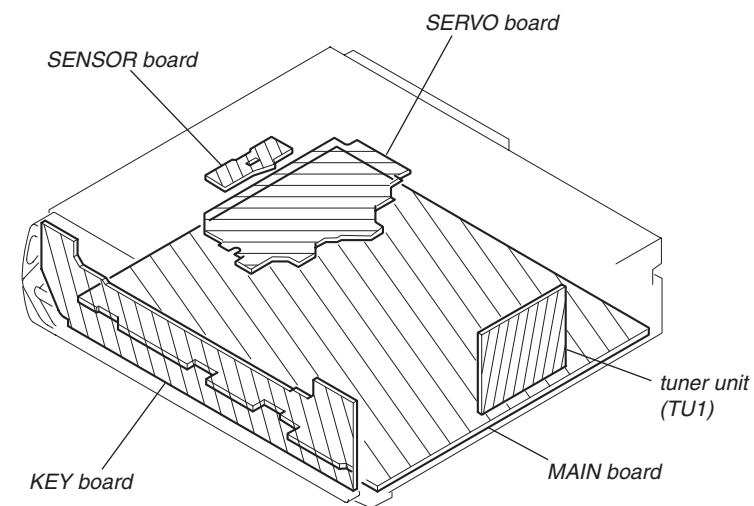


3-3. BLOCK DIAGRAM – DISPLAY SECTION –



CD SECTION (Page 13)

• Circuit Boards Location



• NOTE FOR PRINTED WIRING BOARDS AND SCHEMATIC DIAGRAMS

THIS NOTE IS COMMON FOR PRINTED WIRING BOARDS AND SCHEMATIC DIAGRAMS.
 (In addition to this, the necessary note is printed in each block.)

For schematic diagrams.

- Note:**
- All capacitors are in μF unless otherwise noted. (p: pF) 50 WV or less are not indicated except for electrolytics and tantalums.
 - All resistors are in Ω and $\frac{1}{4}W$ or less unless otherwise specified.
 - Δ : internal component.
 - \square : panel designation.

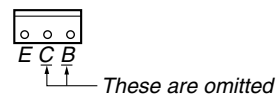
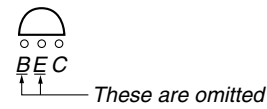
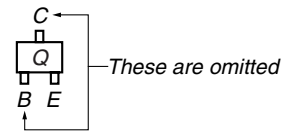
Note:
 The components identified by mark Δ or dotted line with mark Δ are critical for safety.
 Replace only with part number specified.

- : B+ Line.
- : B- Line.
- : adjustment for repair.
- Voltages and waveforms are dc with respect to ground under no-signal (detuned) conditions.
- CD mechanism section (1/2), (2/2)
 no mark : CD PLAY
- Main (1/4), (2/4), (3/4), (4/4) and Display sections
 no mark : FM
 () : AM/MW/LW
 < > : CD PLAY
 * : Impossible to measure
- Voltages are taken with a VOM (Input impedance 10 M Ω).
 Voltage variations may be noted due to normal production tolerances.
- Waveforms are taken with an oscilloscope.
 Voltage variations may be noted due to normal production tolerances.
- Circled numbers refer to waveforms.
- Signal path.
 : CD PLAY
 : FM
 : MW/LW

For printed wiring boards.

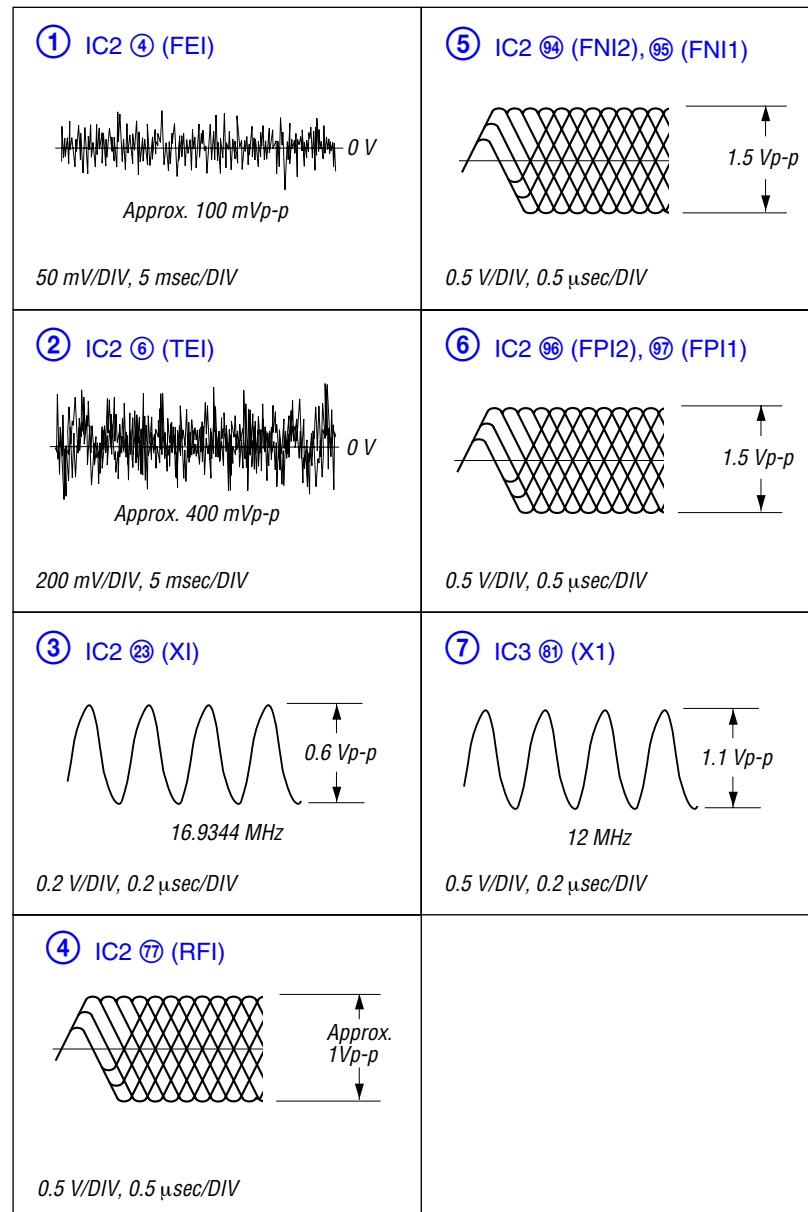
- Note:**
- : parts extracted from the component side.
 - : parts extracted from the conductor side.
 - : Through hole.
 - : Pattern from the side which enables seeing. (The other layers' patterns are not indicated.)

Caution:
 Pattern face side: Parts on the pattern face side seen from the (Side B) pattern face are indicated.
 Parts face side: Parts on the parts face side seen from the (Side A) parts face are indicated.

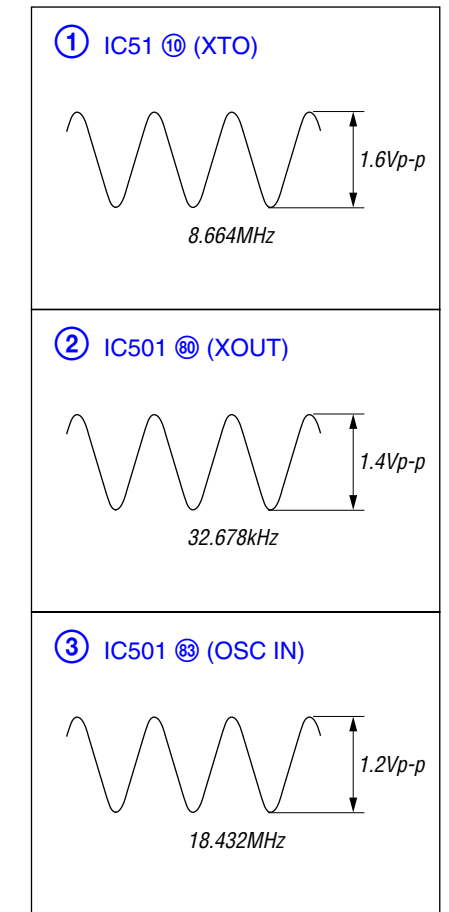


• Waveforms

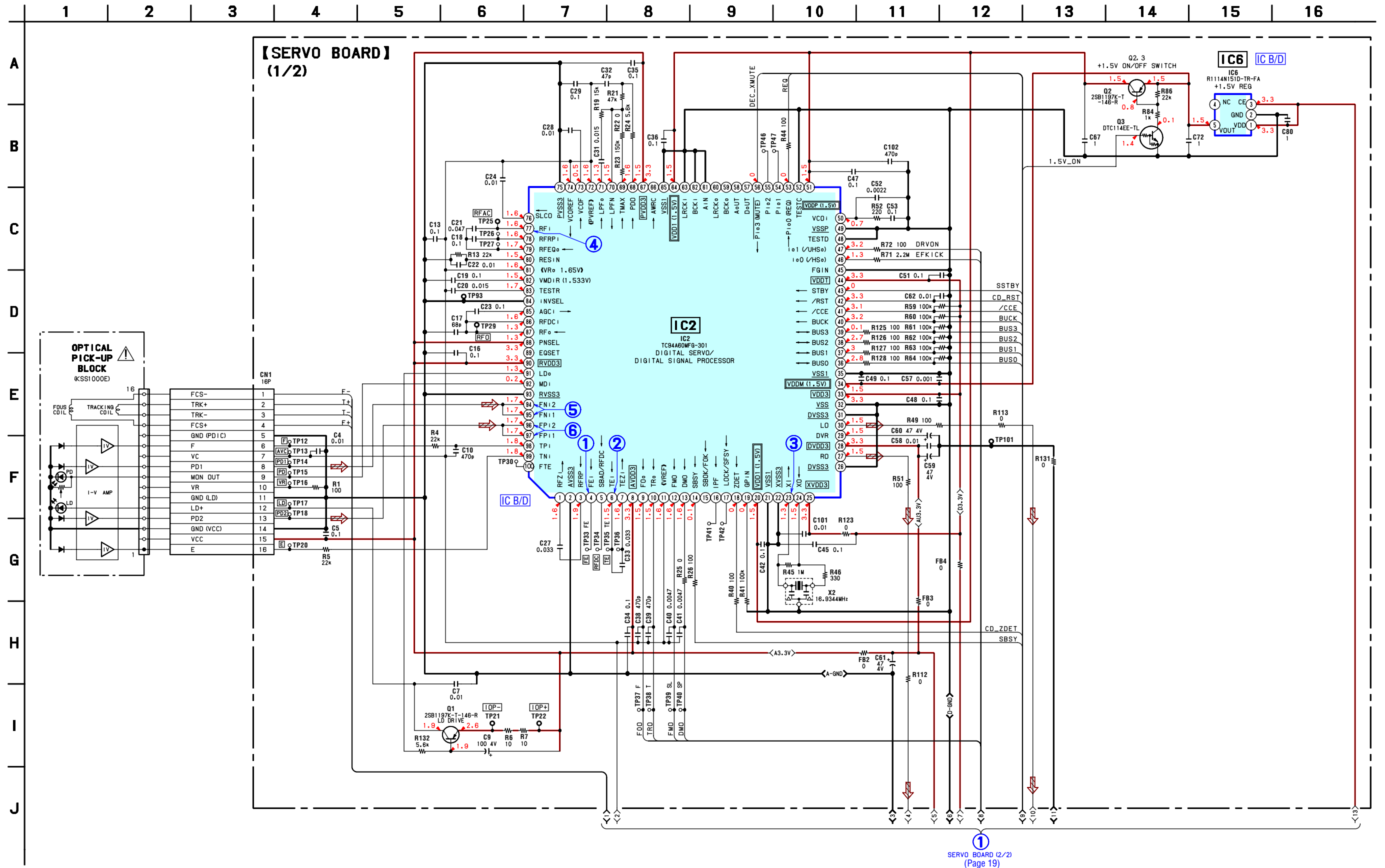
— SERVO Board —
 (CD PLAY)



— MAIN Board —

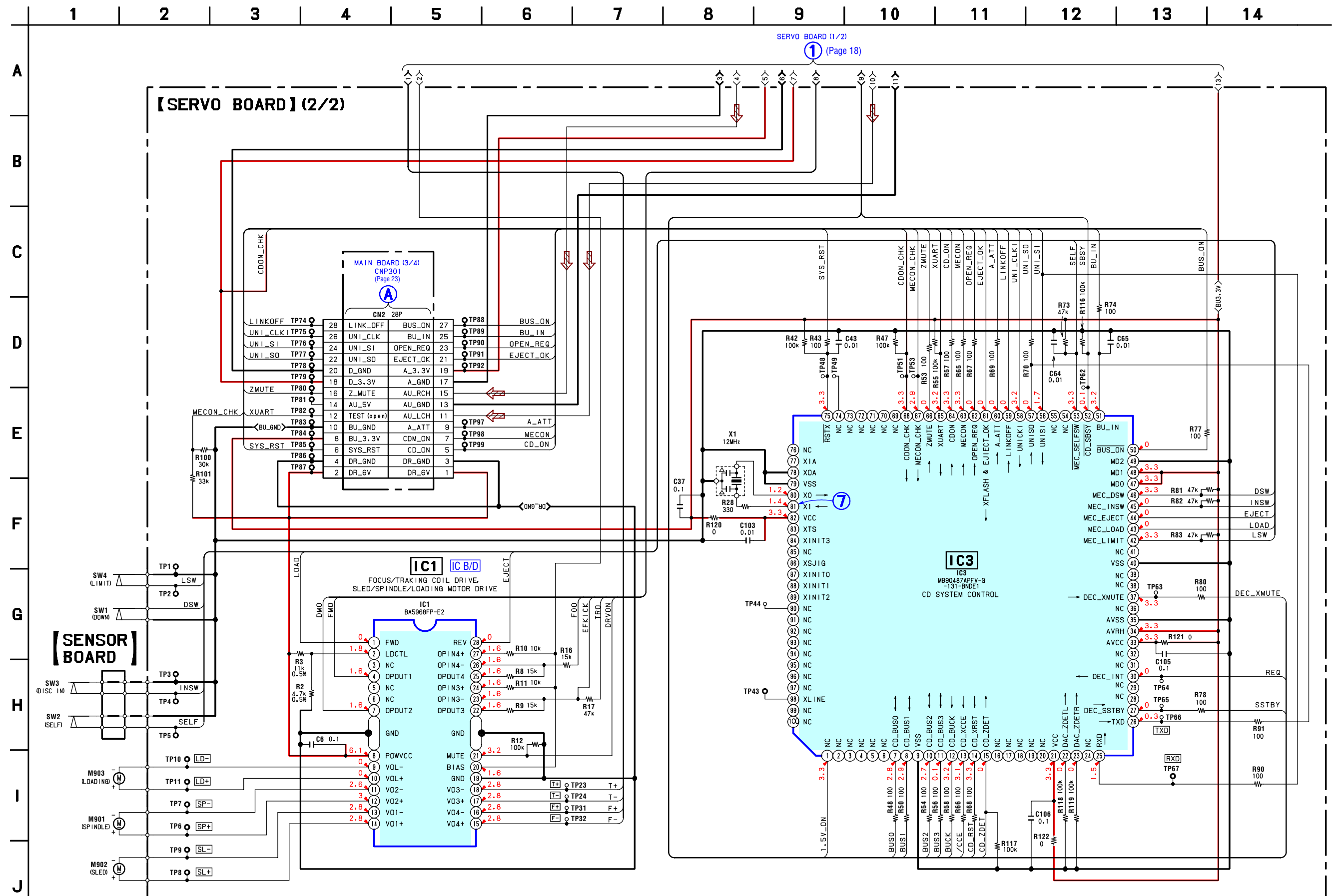


3-5. SCHEMATIC DIAGRAM – SERVO BOARD (1/2) – • See page 28 for IC Block Diagram. • See page 16 for Waveforms.

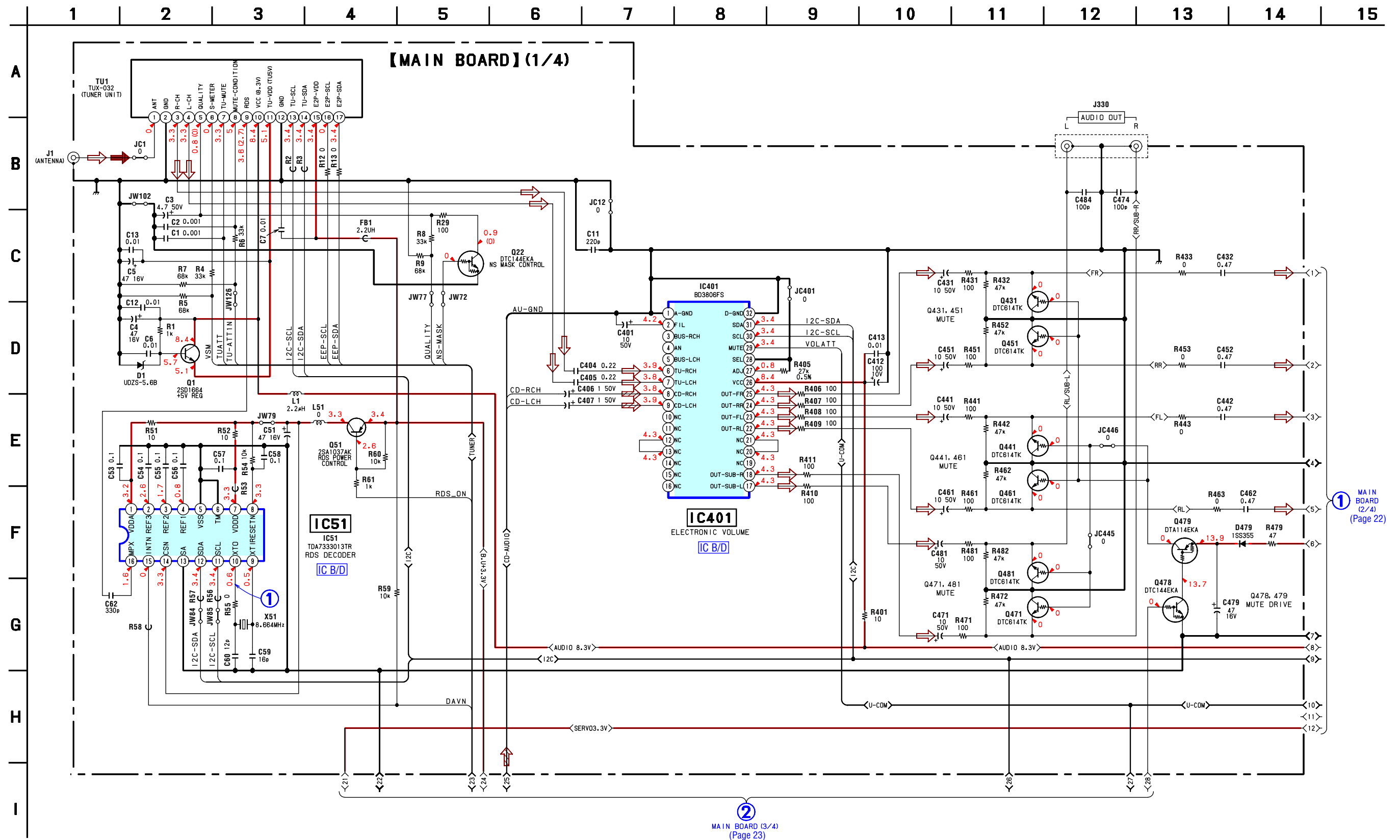


① SERVO BOARD (2/2) (Page 19)

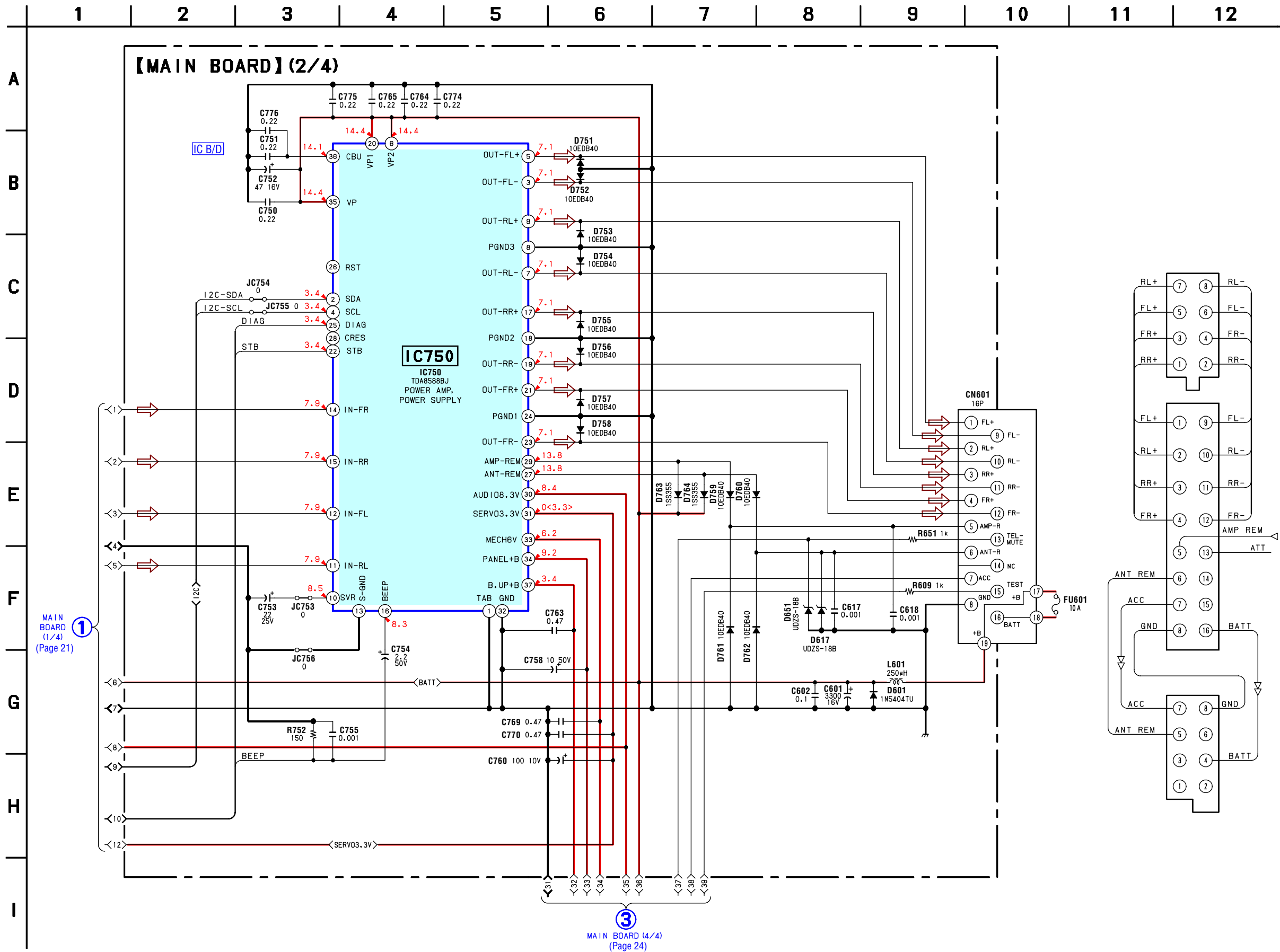
3-6. SCHEMATIC DIAGRAM – SERVO BOARD (2/2) – • See page 29 for IC Block Diagram. • See page 16 for Waveforms. • See page 30 for IC Pin Descriptions.



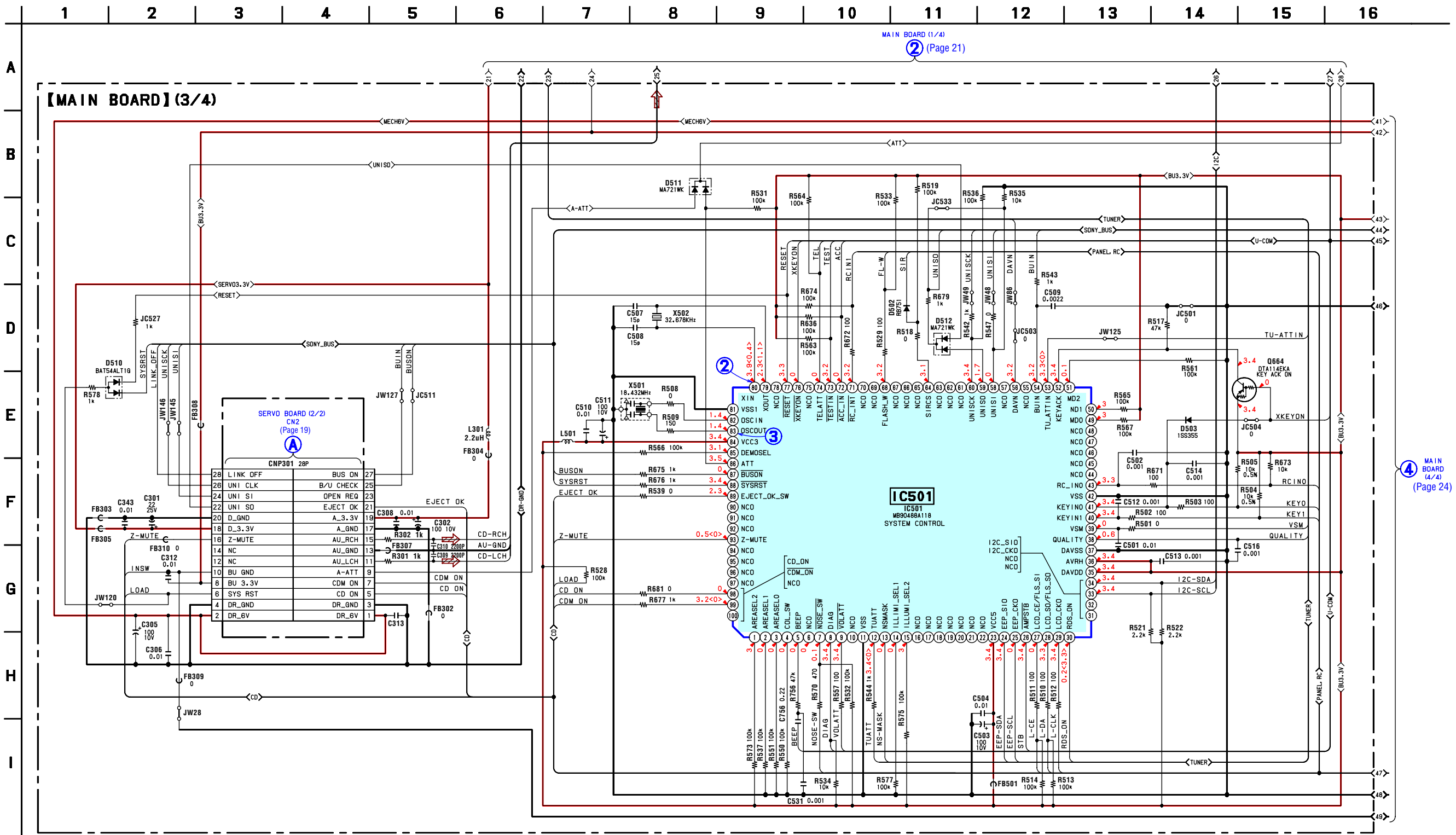
3-8. SCHEMATIC DIAGRAM – MAIN BOARD (1/4) – • See page 27 for IC Block Diagram. • See page 16 for Waveforms.



3-9. SCHEMATIC DIAGRAM – MAIN BOARD (2/4) – • See page 28 for IC Block Diagram.

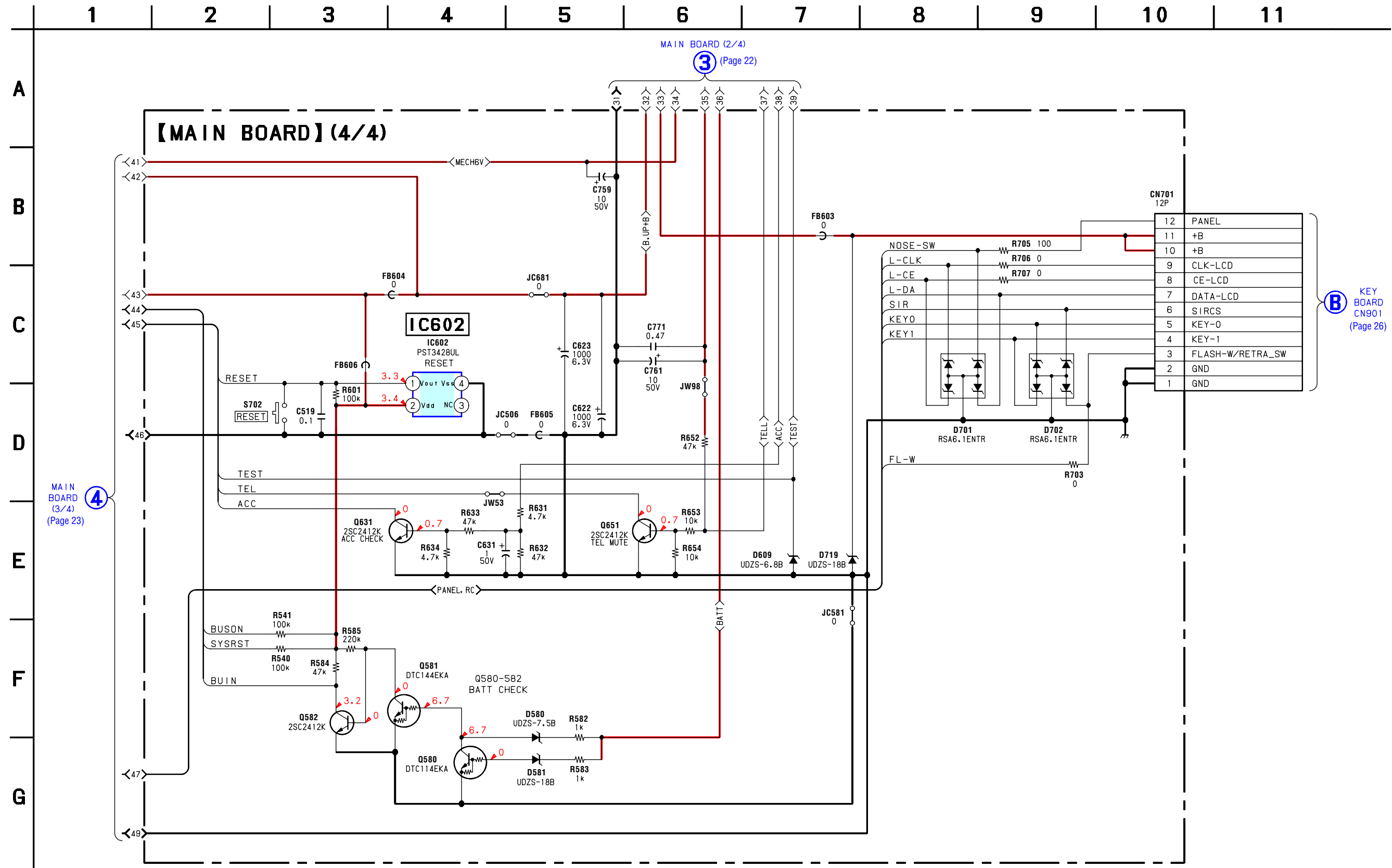


3-10. SCHEMATIC DIAGRAM – MAIN BOARD (3/4) – • See page 16 for Waveforms. • See page 32 for IC Pin Descriptions.



④ MAIN BOARD (4/4) (Page 24)

3-11. SCHEMATIC DIAGRAM – MAIN BOARD (4/4) –



3-13. SCHEMATIC DIAGRAM – KEY BOARD –

