

TRANSMITTER

MAV-VHF-224 Audio-Video Modulators MAV-UHF-479



The MAV audio / video modulators, operating in the VHF or UHF Band, offer a low cost CATV module for transmitting **high quality** audio-video signals. Input signals can be fed directly from videocameras, tuners, video tape players, etc, using the standardized output connector lines such as RCA and SCART. The R.F. output can be received with any standard TV receiver. Video broadcast standards, however, differ from country to country and therefore compatibility of the MAV-UHF-479 with local standards should be determined by the potential user.

The MAV-VHF-224 and MAV-UHF-479 modulator is very stable in frequency and features high harmonic rejection.

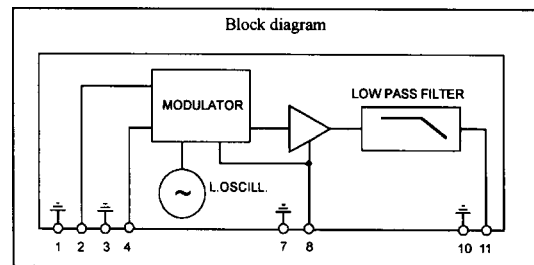
For applications requiring extended communication range, the MCA-224 and MCA-479 power amplifier are available and have been designed as companions to the MAV modules.

Technical Specifications

- High-miniaturization SIL circuit
- RF output power on a 75Ω load: 2 mW
- Supply: 5 V \pm 5%
- Current consumption: 90 mA (typical)
- 3rd Order Intermodulation better than -60 dBm
- Dimensions: 28 x 25 x 8 mm. Pin pitch 2.54 mm

Video: VHF Carrier frequency: 224.5 MHz (\pm 75 KHz)
UHF Carrier Frequency: 479.5MHz (\pm 75KHz)
Input : base band **PAL** negative type modulation,
1.2 Vp-p level (standard, non vestigial)

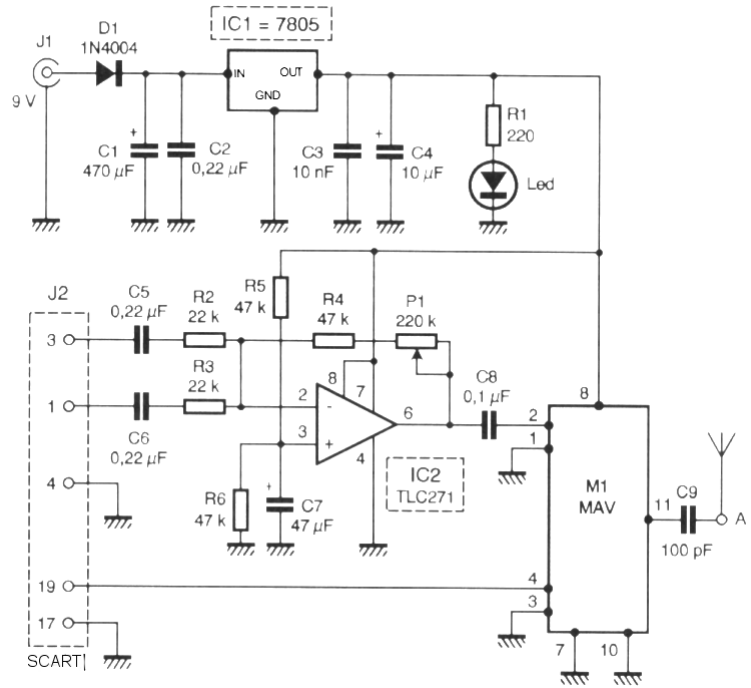
Audio: Sub-carrier frequency : 5.5 Mhz ;
FM Modulation with 70 KHz deviation
(1 Vp-p input)
Input: 100 KΩ impedance, 1 Vp-p (typical)
Pre-emphasis : 50 μ sec.



Pin-out

- 1) Ground
- 2) Audio Input
- 3) Ground
- 4) Video Input
- 7) Ground
- 8) +5 V
- 10) Ground
- 11) R.F. Out

Example Application: SCART interface



MAV with external audio input

