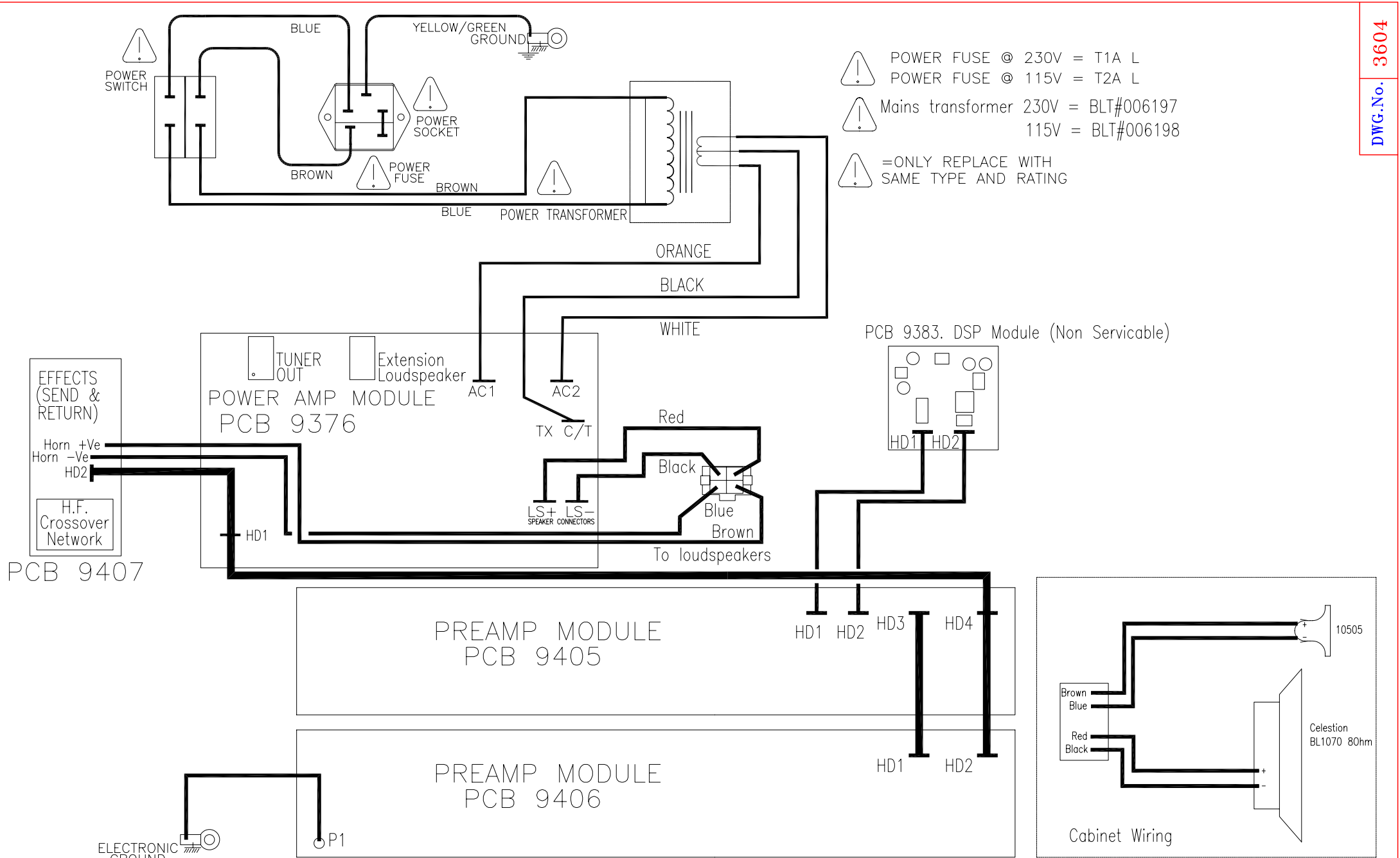


A1

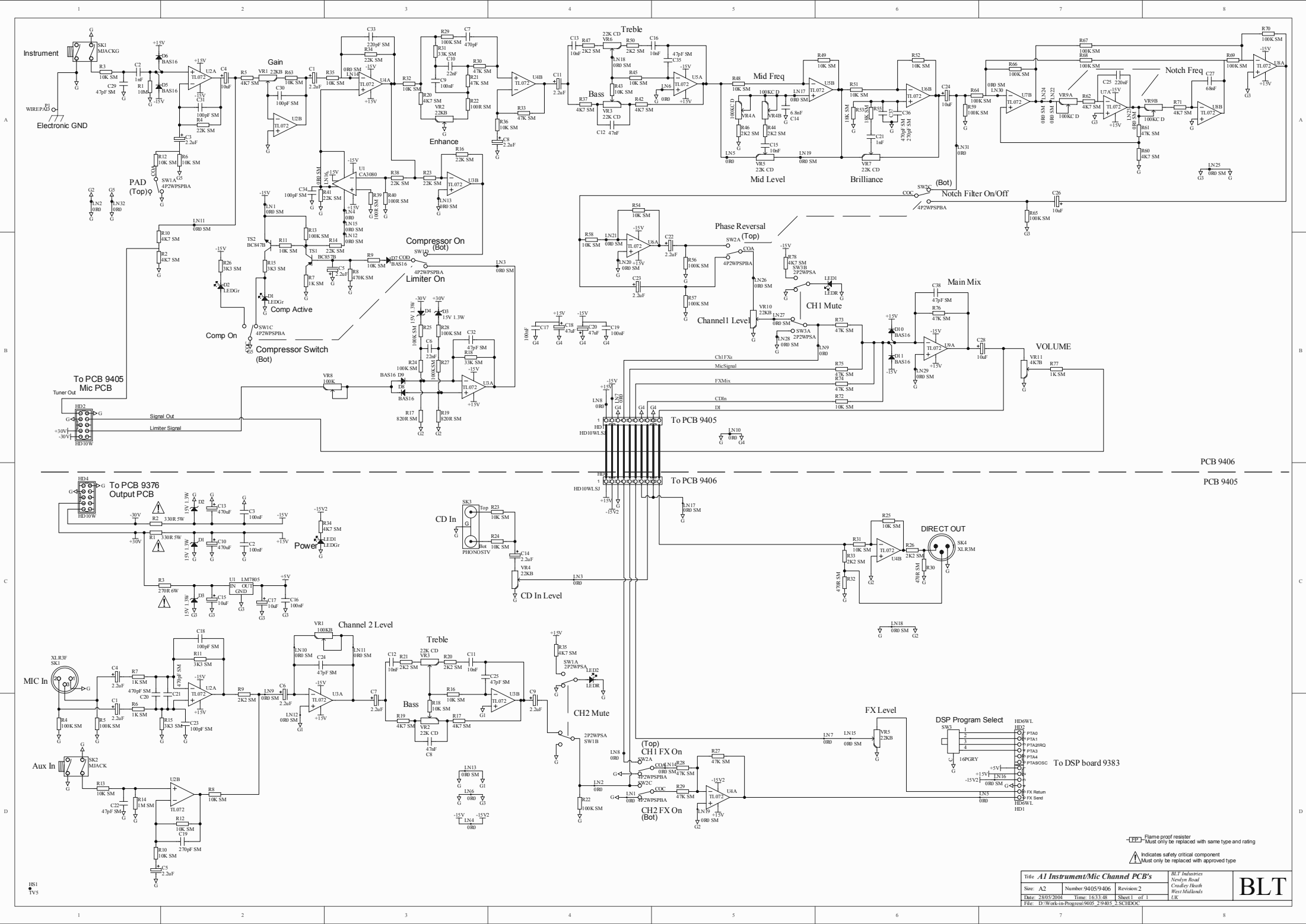
Service Information

Laney
Classic British Amplification

Newlyn Road, Cradley Heath, West Midlands. B64 6BE
www.laney.co.uk



ISSUE	DESCRIPTION	APPD.	DATE	TITLE	DRAWN	TRACED	CHECKED	APPROVED	DATE
				<p>BLT Industries Ltd.</p>	<p>A1 SERVICE DIAGRAM PART No</p>	R.S.T			24/05/04
						DRAWING No.	3604		

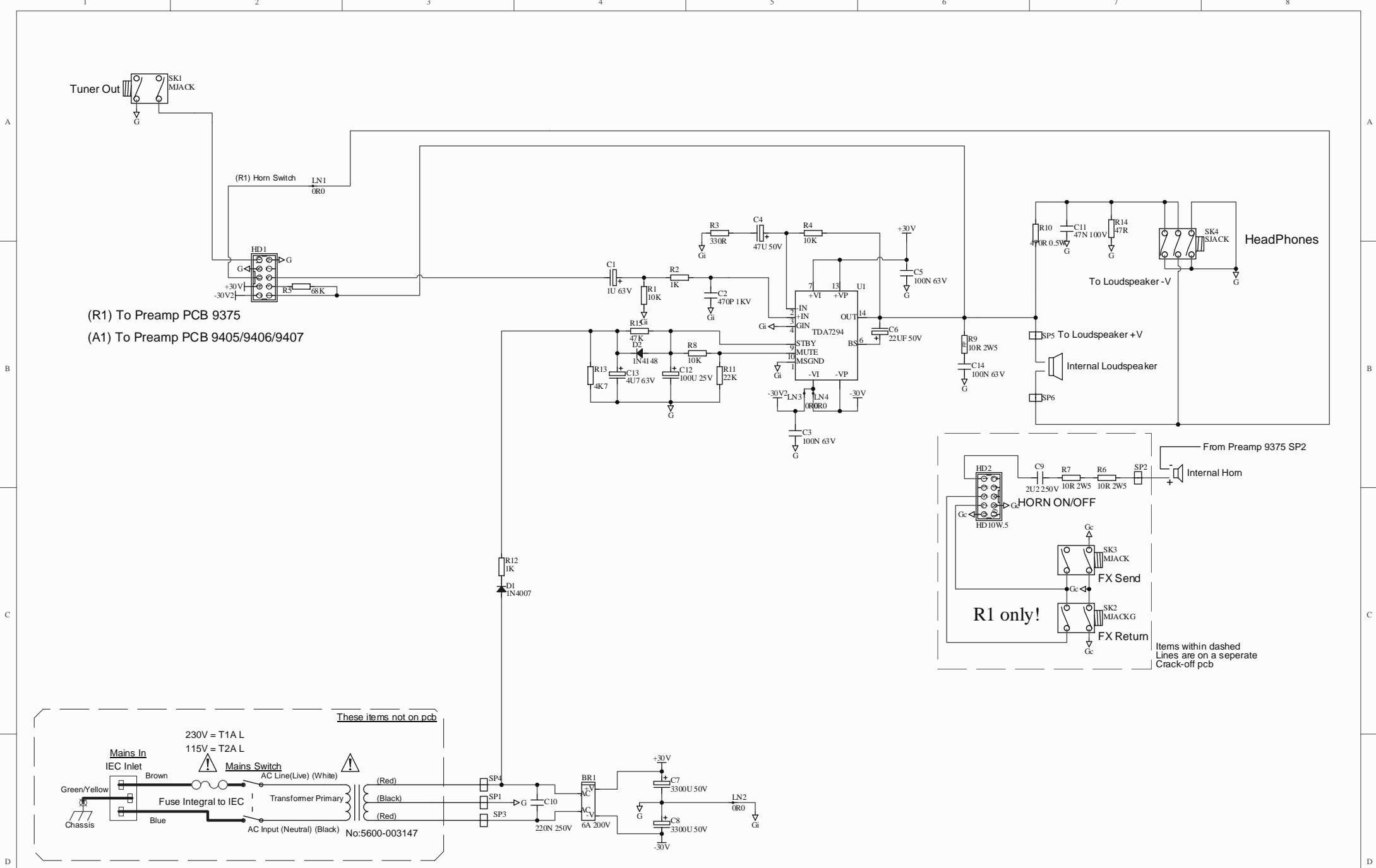


PCB 9406

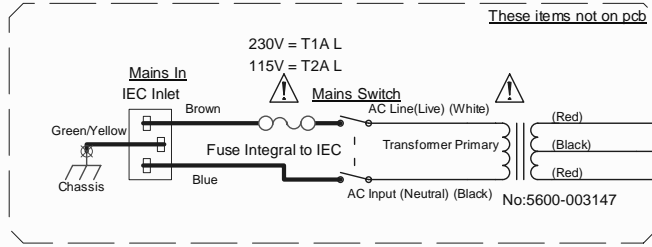
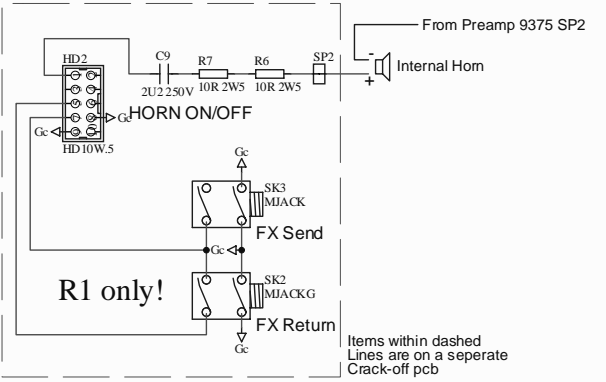
PCB 9405

Flame proof resistor
Must only be replaced with same type and rating

Indicates safety critical component
Must only be replaced with approved type



(R1) To Preamp PCB 9375
 (A1) To Preamp PCB 9405/9406/9407



Flame proof resistor
 Must only be replaced with same type and rating

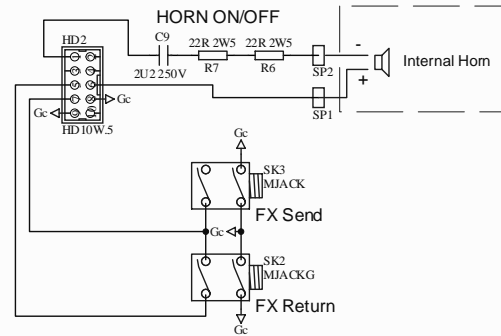
Indicates safety critical component
 Must only be replaced with approved type


CAUTION! VERY HOT
 65MMFINNEDHS


Revision History

BLT Industries

Title		A1/R1 Amp Output PCB	
Size	Number	Revision	
A3	9376	2	
Date:	24/05/2004	Sheet 1 of	1
File:	D:\Work-in-Progress\9376.2.Sch	Drawn By:	Rich Thompson



 Flame proof resistor
Must only be replaced with same type and rating

 Indicates safety critical component
Must only be replaced with approved type

Revision History

BLT
Industries

Title		A1 FX Loop PCB	
Size	Number	Revision	
A3	9407	2	
Date:	24/05/2004	9407_2.Sch	Sheet 1 of 1
File:	D:\Work-in-Progress\9407_2\9407_2.Sch		Drawn By: Rich Thompson