

CN Pinouts: See Table 4-19

The TFT LCD LVDS can be connected to a TFT LCD screen directly.

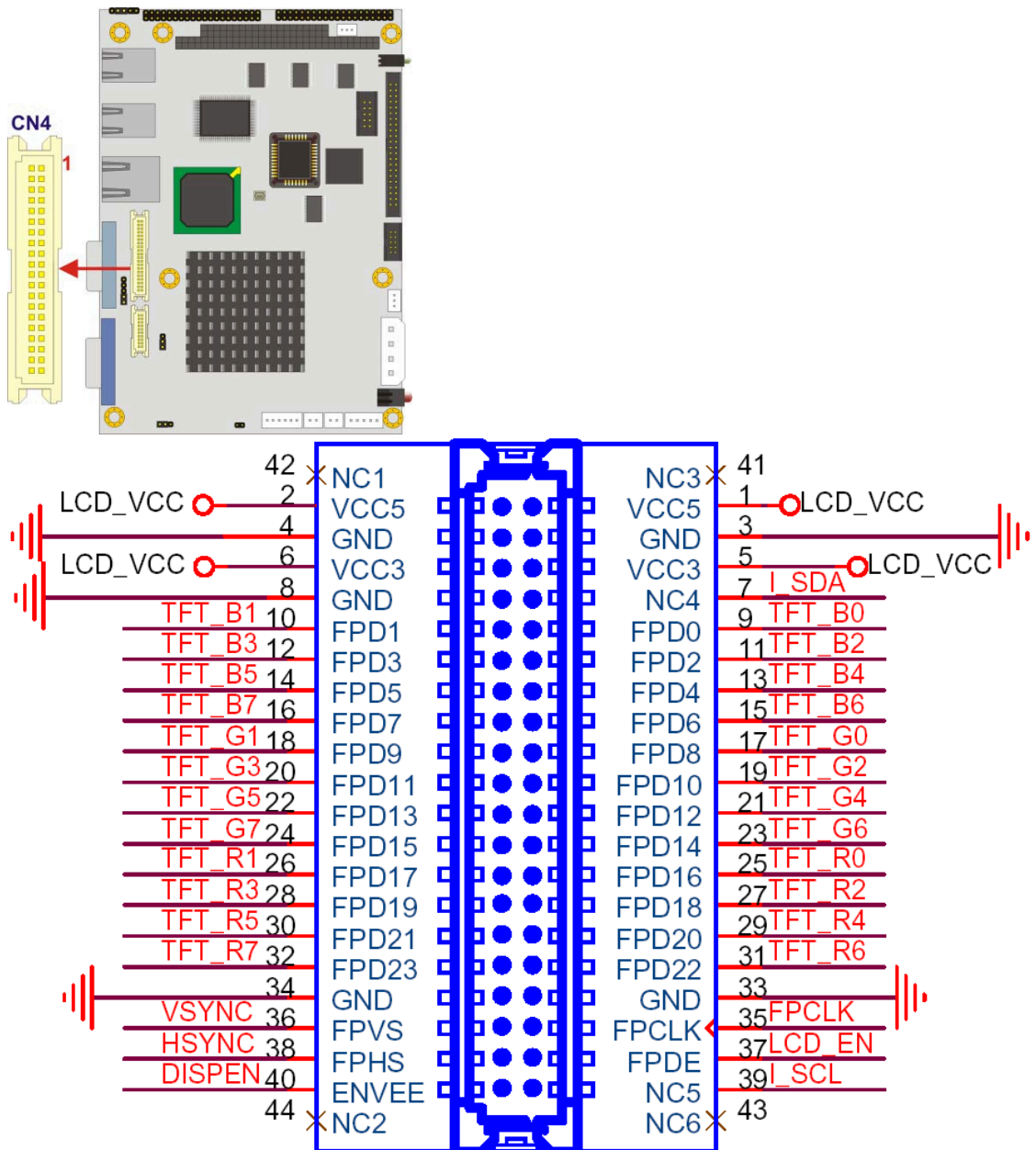


Figure 4-19: TFT LCD TTL Connector Pinout Locations

WAFER-LX2 3.5" Embedded SBC

| PIN NO. | DESCRIPTION | PIN NO. | DESCRIPTION |
|---------|-------------|---------|-------------|
| 1 | LCD_Vcc | 2 | LCD_Vcc |
| 3 | GND | 4 | GND |
| 5 | LCD_Vcc | 6 | LCD_Vcc |
| 7 | SDA | 8 | GND |
| 9 | B0 | 10 | B1 |
| 11 | B2 | 12 | B3 |
| 13 | B4 | 14 | B5 |
| 15 | B6 | 16 | B7 |
| 17 | G0 | 18 | G1 |
| 19 | G2 | 20 | G3 |
| 21 | G4 | 22 | G5 |
| 23 | G6 | 24 | G7 |
| 25 | R0 | 26 | R1 |
| 26 | R2 | 28 | R3 |
| 29 | R4 | 30 | R5 |
| 31 | R6 | 32 | R7 |
| 33 | GND | 34 | GND |
| 35 | CLK | 36 | VSYNC |
| 37 | LCD_EN | 38 | HSYNC |
| 39 | SCL | 40 | DISP_EN |

Table 4-19: TFT LCD TTL Port Connector Pinouts

4.3 External Peripheral Interface Connectors

4.3.1 External Peripheral Interface Connector Overview

The WAFER-LX2 external peripheral interface connectors are listed below and shown in Figure 4-20:

- 1 x RJ-45 Ethernet connector
- 1 x Serial communications port
- 2 x USB combo port
- 1 x VGA port