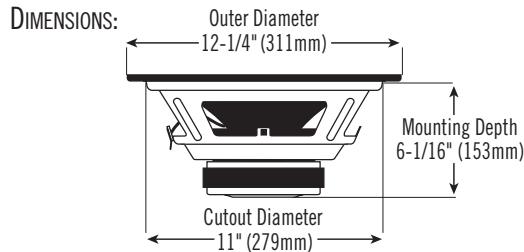




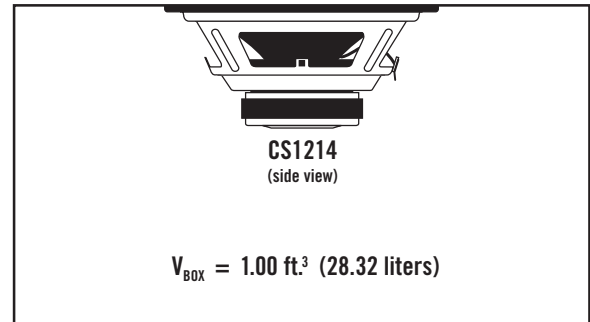
CS1214 12" Woofer – Technical Data

SPECIFICATIONS

DIAMETER:	12" (305mm)
SENSITIVITY (2.83V @ 1m):	90dB
POWER HANDLING:	250W _{RMS} 1000W _{PEAK}
FREQUENCY RESPONSE:	35Hz – 200Hz
NOMINAL IMPEDANCE:	4 OHMS
VOICE-COIL DIAMETER:	2" (51mm)



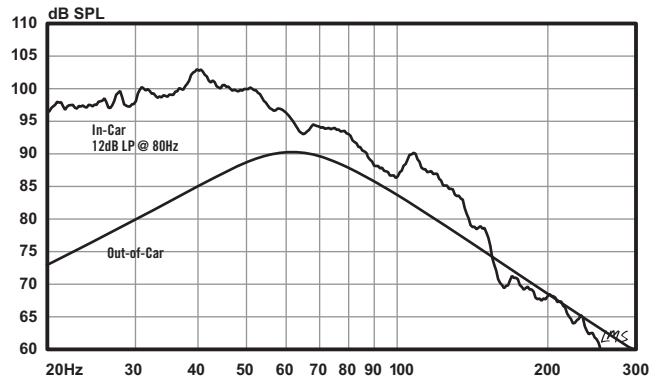
SEALED BOX VOLUME (INCLUDES DRIVER DISPLACEMENT)



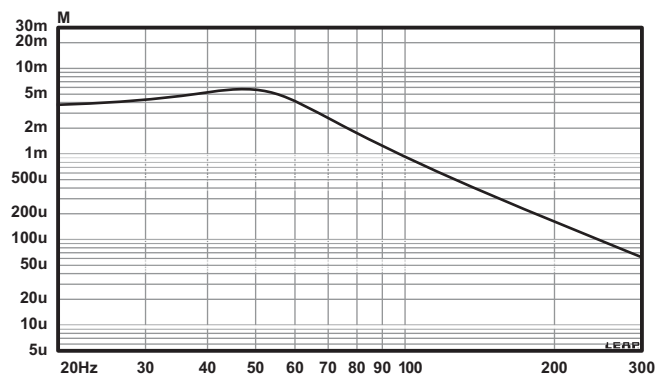
THIELE-SMALL PARAMETERS

VOICE-COIL DC RESISTANCE:	R_{EVC} (OHMS)	3.6
VOICE-COIL INDUCTANCE @ 1kHz:	L_{EVC} (MH)	2.57
DRIVER RADIATING AREA:	S_{D} (IN ²)	85.4
	S_{D} (M ²)	551.00
MOTOR FORCE FACTOR:	BL (TM)	14.08
COMPLIANCE VOLUME:	V_{AS} (FT ³)	2.7
	V_{AS} (LITERS)	76.7
SUSPENSION COMPLIANCE:	C_{MS} (µM/N)	177.00
MOVING MASS, AIR LOAD:	M_{MS} (GRAMS)	179.00
MOVING MASS, DIAPHRAGM:	M_{MD} (GRAMS)	171.00
FREE-AIR RESONANCE:	F_{S} (Hz)	28.00
MECHANICAL Q:	Q_{MS}	8.85
ELECTRICAL Q:	Q_{ES}	0.57
TOTAL Q:	Q_{TS}	0.54
MAGNETIC-GAP HEIGHT:	H_{AG} (IN)	0.307
	H_{AG} (MM)	7.8
VOICE-COIL HEIGHT:	H_{VC} (IN)	1.26
	H_{VC} (MM)	32
MAXIMUM EXCURSION:	X_{MAX} (IN)	0.48
	X_{MAX} (MM)	12.1

SEALED ENCLOSURE FREQUENCY RESPONSE @ 2.83V



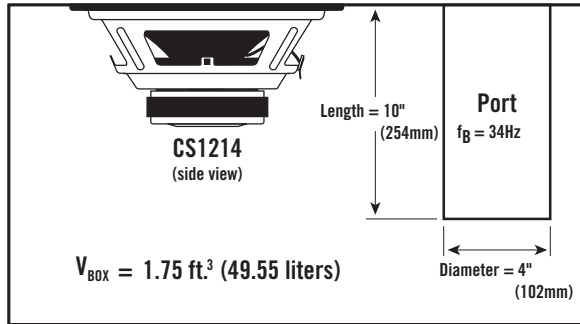
SEALED ENCLOSURE CONE EXCURSION @ 250W



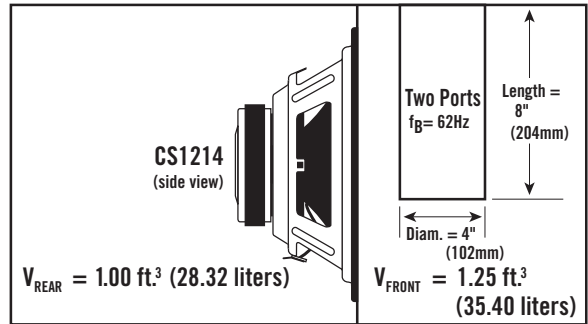


CS1214 12" Woofer – Technical Data

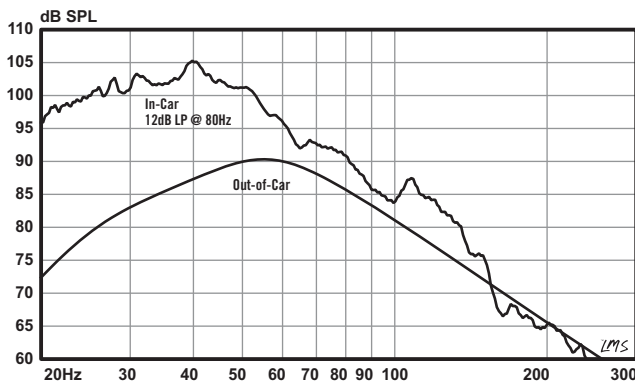
VENTED BOX VOLUME (INCLUDES DRIVER/PORT DISPLACEMENTS)



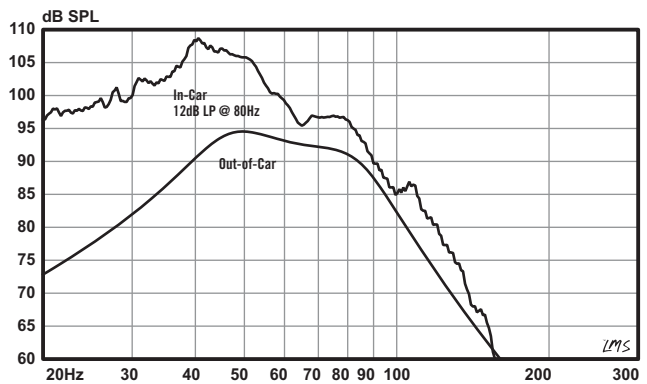
BAND-PASS BOX VOLUME (INCLUDES DRIVER/PORT DISPLACEMENTS)



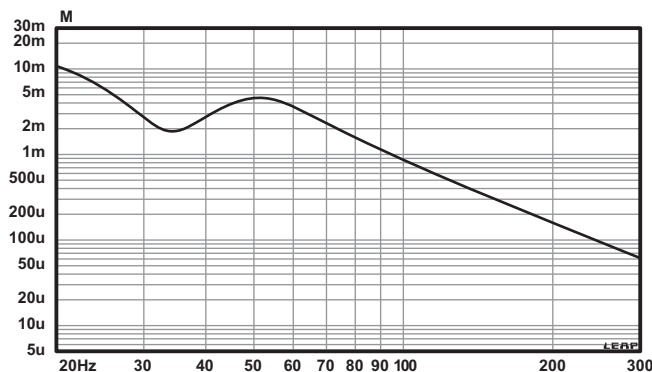
VENTED ENCLOSURE FREQUENCY RESPONSE @ 2.83V



BAND-PASS ENCLOSURE FREQUENCY RESPONSE @ 2.83V



VENTED ENCLOSURE CONE EXCURSION @ 250W



BAND-PASS ENCLOSURE CONE EXCURSION @ 250W

