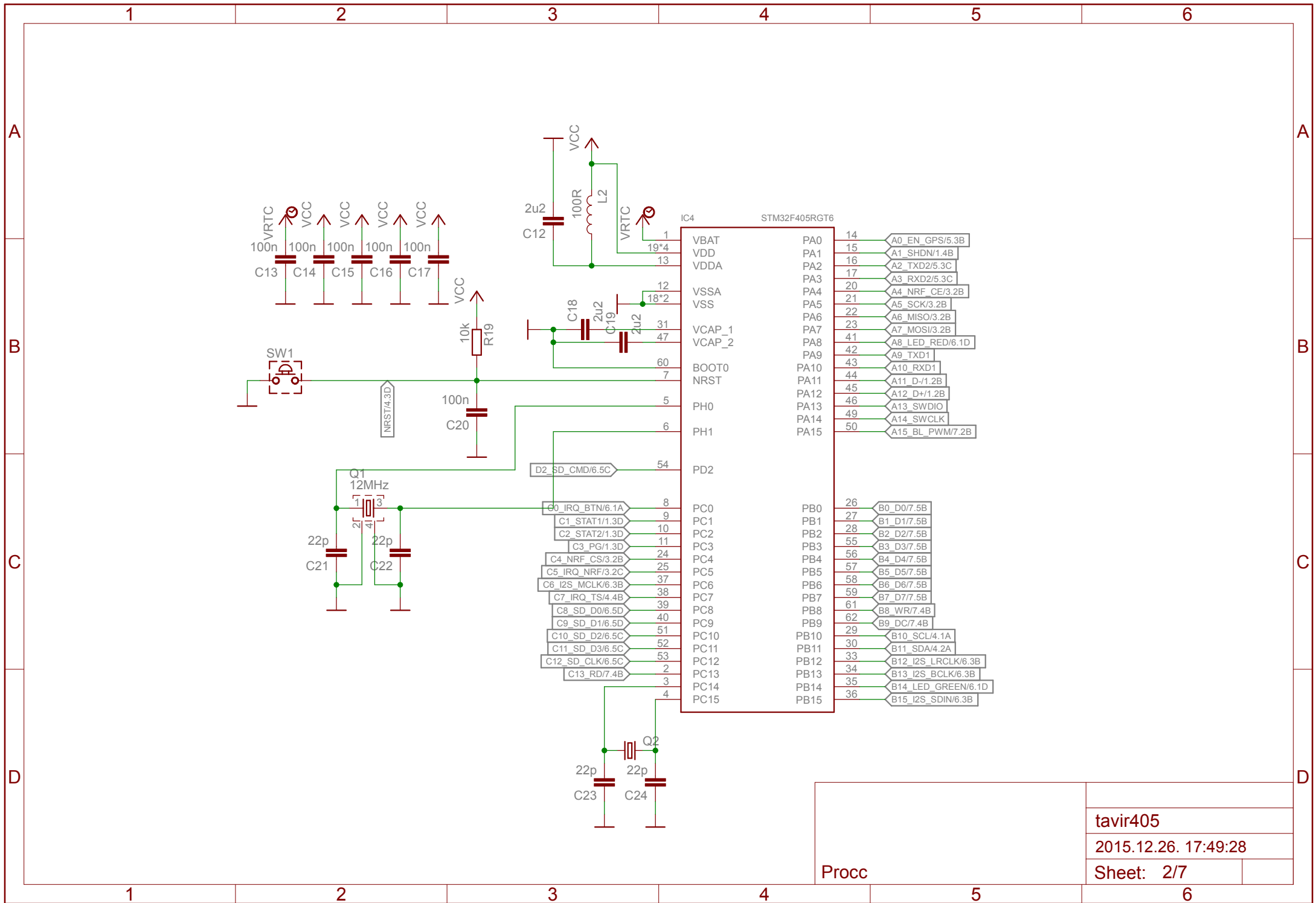
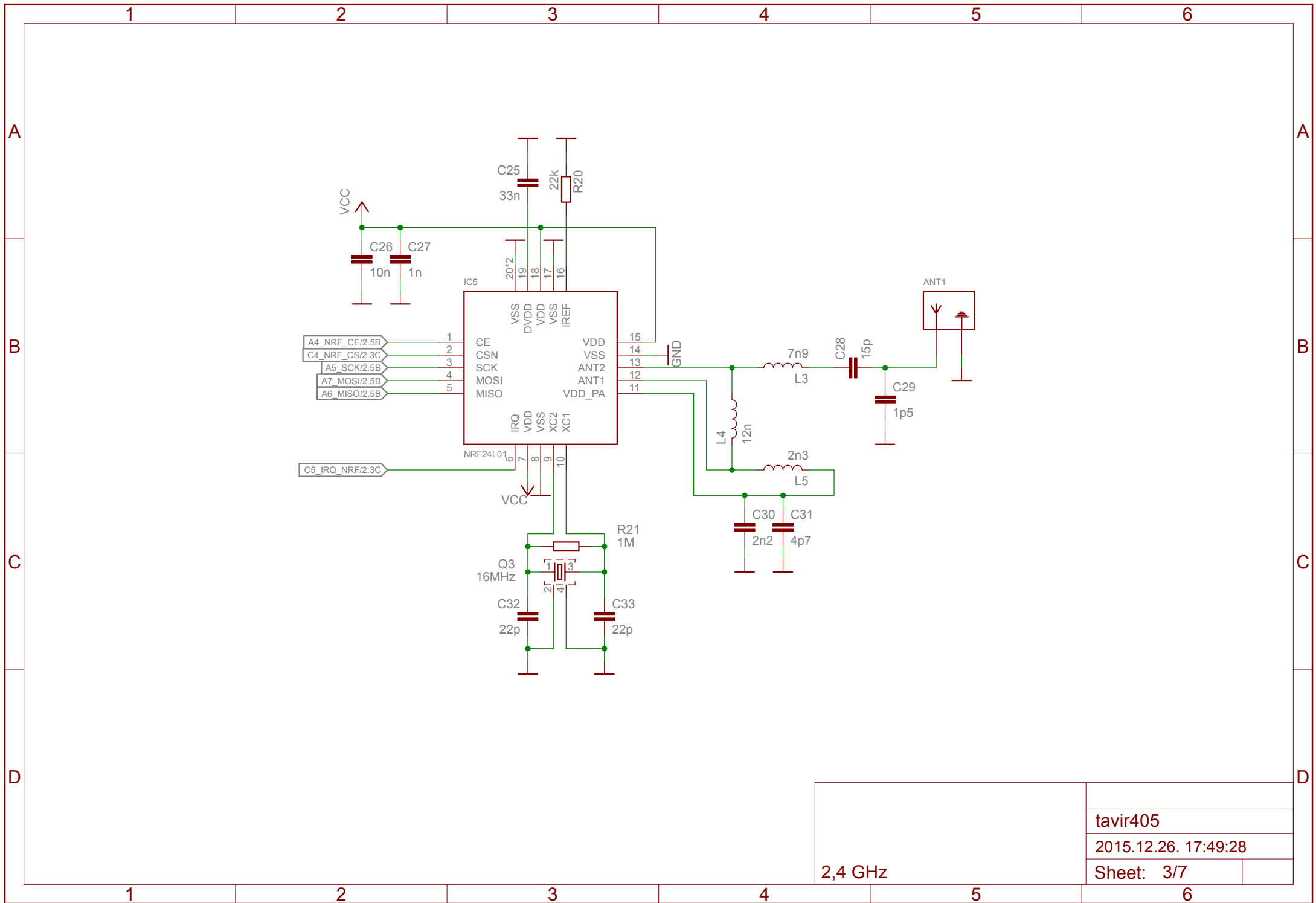


USB
Akksitöltő
DC/DC táp
Standby táp

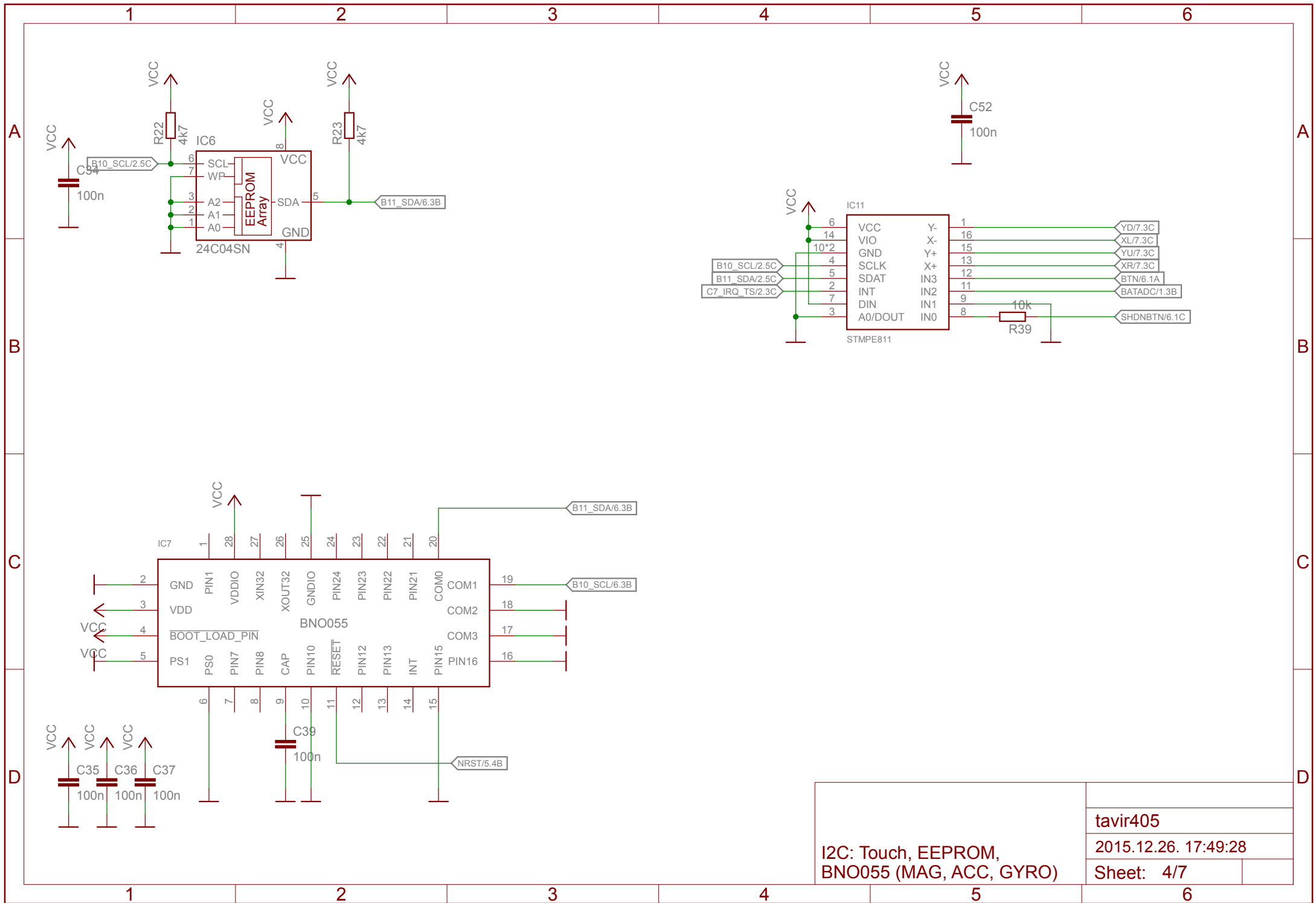
tavir405	
2015.12.26. 17:49:28	
Sheet: 1/7	



Procc	tavir405
	2015.12.26. 17:49:28
	Sheet: 2/7



2,4 GHz		tavir405	
		2015.12.26. 17:49:28	
		Sheet: 3/7	



I2C: Touch, EEPROM,
BNO055 (MAG, ACC, GYRO)

tavir405
2015.12.26. 17:49:28
Sheet: 4/7

1 2 3 4 5 6

A

A

B

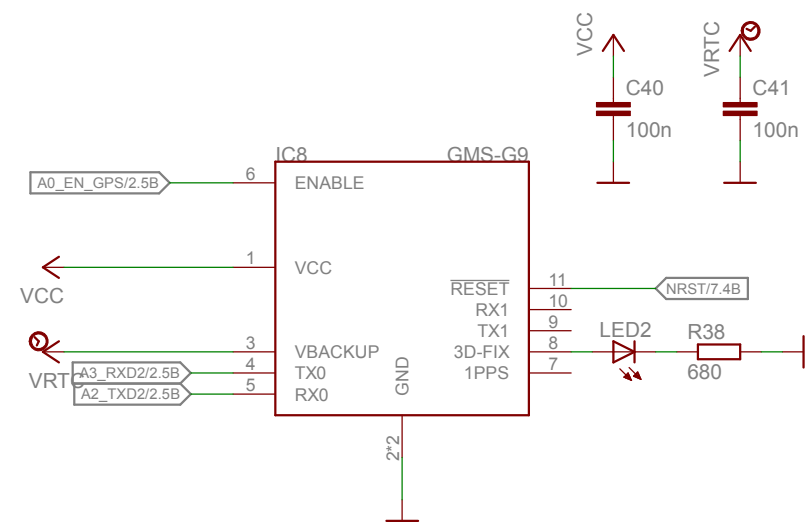
B

C

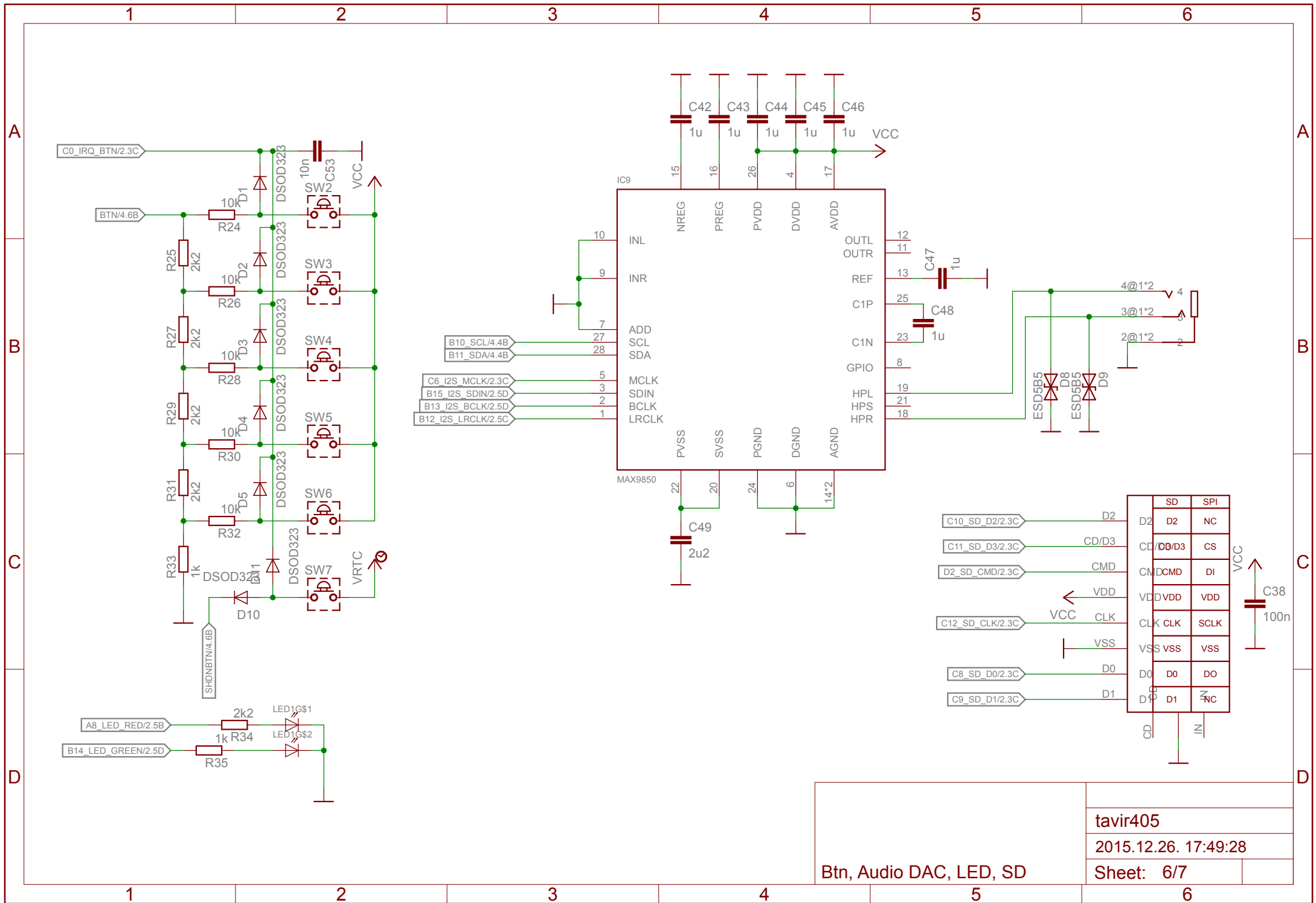
C

D

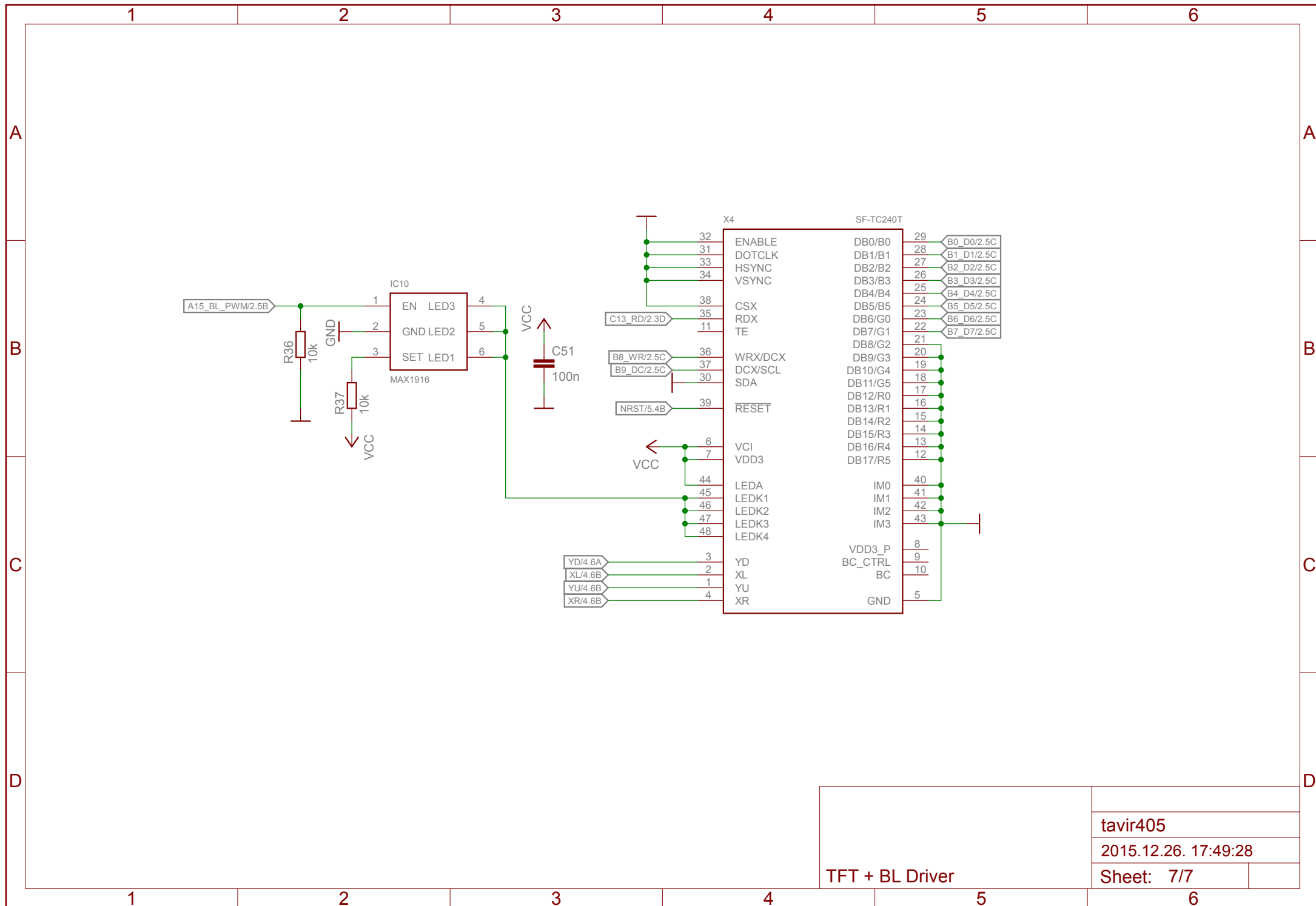
D



GPS+GNSS	tavir405
	2015.12.26. 17:49:28
	Sheet: 5/7



Btn, Audio DAC, LED, SD	
tavir405	
2015.12.26. 17:49:28	
Sheet: 6/7	



TFT + BL Driver

tavir405

2015.12.26. 17:49:28

Sheet: 7/7