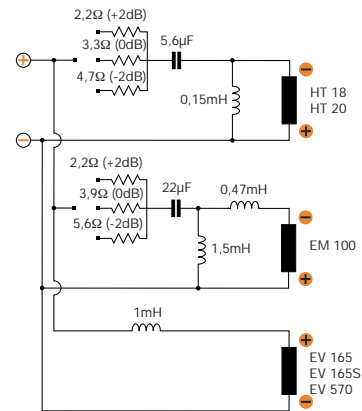
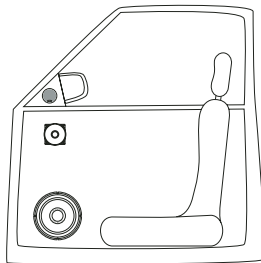


energy

CX 300

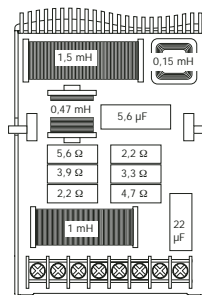
Technical Specifications

Component	Three Way Passive Crossover	
Size	88x133x37	
Power Handling (Watt)	peak	250
	continuous program	125
Crossover Frequency	Hz	500
		5k
Slope	dB/Oct.	6-12
		6-12
Specific Components	HT 18 / HT 20 +	EV 165
		EV 165S
	EM 100 +	EV 570
Adjustment	+2; 0; -2 dB	TW/MID

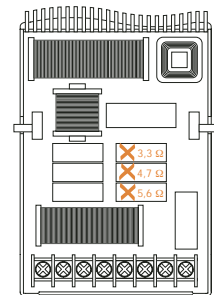


Tweeter	Midrange	Woofer	Crossover
HT 18	EM 100	EV 165	CX 300
HT 18	EM 100	EV 165S	CX 300
HT 18	EM 100	EV 570	CX 300
HT 20	EM 100	EV 165	CX 300
HT 20	EM 100	EV 165S	CX 300
HT 20	EM 100	EV 570	CX 300
HT 25	EM 100	EV 165	CX 300_M25
HT 25	EM 100	EV 165S	CX 300_M25
HT 25	EM 100	EV 570	CX 300_M25
HT 18	HL 70	EV 165	CX 300_M70
HT 18	HL 70	EV 165S	CX 300_M70
HT 18	HL 70	EV 570	CX 300_M70
HT 20	HL 70	EV 165	CX 300_M70
HT 20	HL 70	EV 165S	CX 300_M70
HT 20	HL 70	EV 570	CX 300_M70
HT 25	HL 70	EV 165	CX 300_M2570
HT 25	HL 70	EV 165S	CX 300_M2570
HT 25	HL 70	EV 570	CX 300_M2570

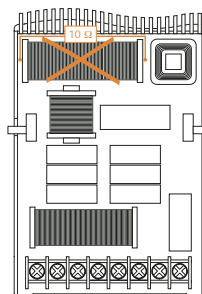
CX 300



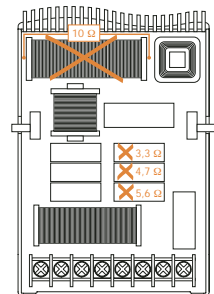
CX 300_M25



CX 300_M70



CX 300_M2570



CROSSOVER