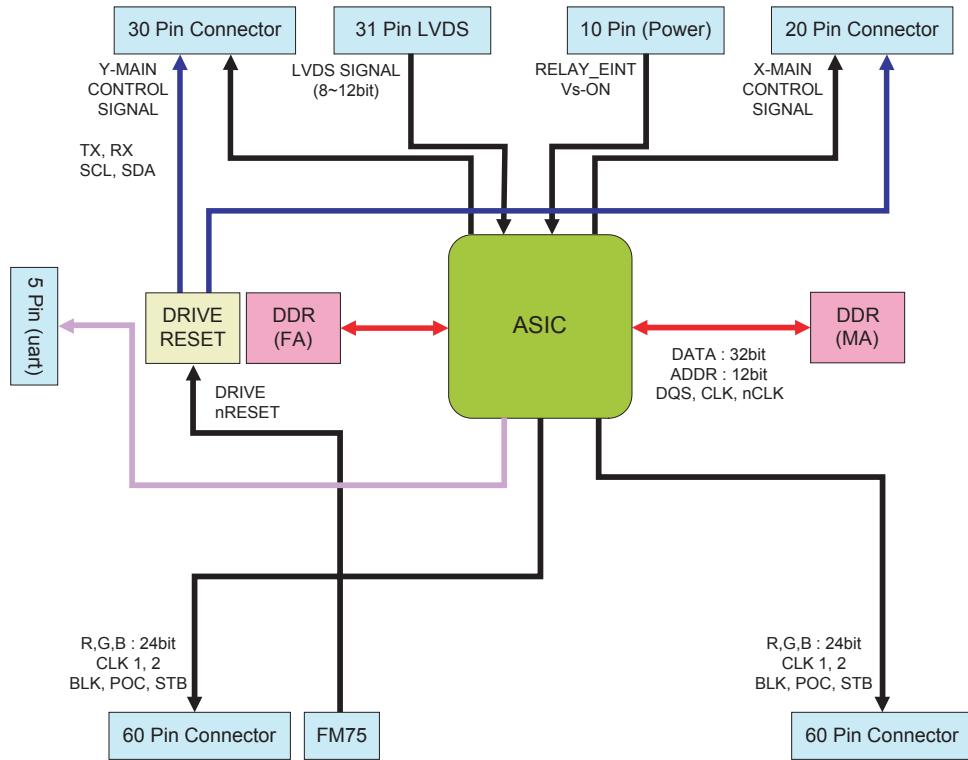


### 7-2-4 Logic Board Block Diagram



### 7-2-5 Power Block Diagram

