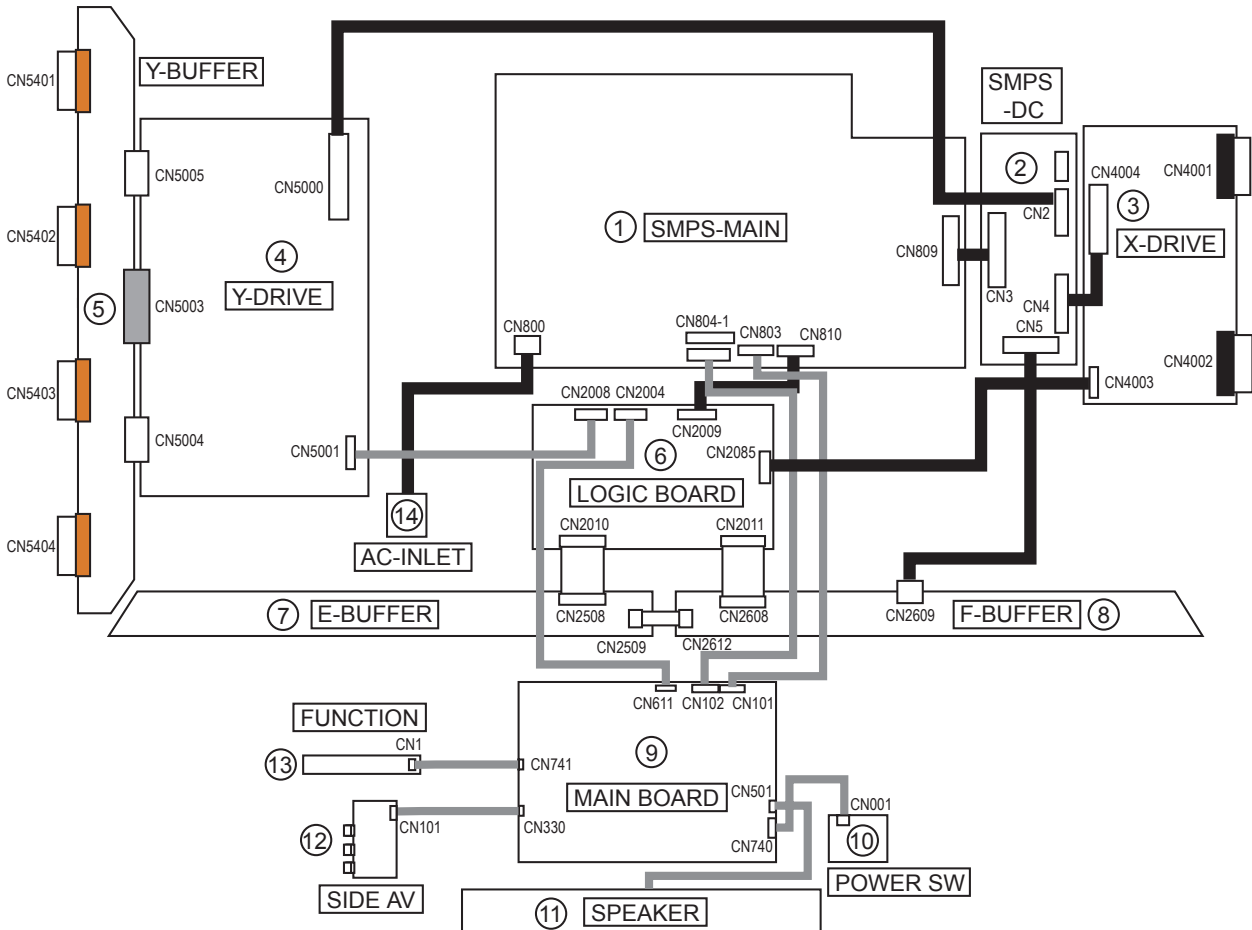


8. Wiring Diagram

8-1 Overall Wiring

※ The ASS'Y code can be changed, see "5 Chapter. Electrical Part List."



No	Assy	Code No.	Description
-	ASSY PDP MODULE P	BN96-03073A	M1,SPD-42D5SD,D71C,V5.0,1000?588,852?480,NTSC/PAL,42"SD
①	ASSY PCB P-SMPS	BN96-03052A	PS42E7H,100~240V,245*370mm
②	ASSY PCB P-SMPS	BN96-01856A	SPD-50P5HD(DC_DC),200Vin(DC_DC)
③	ASSY PDP MODULE P-X MAIN BOARD	BN96-03101A	M1,PL42SD011A,V5.0,852*480,NTSC/PAL,42",SD,LJ92-01340A
④	ASSY PDP MODULE P-Y MAIN BOARD	BN96-03102A	M1,PL42SD011A,Y-Main board,V5.0,852*480,NTSC/PAL,42",SD
⑤	ASSY PDP MODULE P-Y MAIN SCAN BUFFER	BN96-03103A	M1,PL42SD011A,Y-scan buffer,V5.0,852*480,NTSC/PAL,42",SD
⑥	ASSY PDP MODULE P-LOGIC MAIN BOARD	BN96-03106A	M1,PL42SD011A,logic main,V5.0,852*480,NTSC/PAL,42",SD
⑦	ASSY PDP P-ADDRESS E BUFFER	BN96-03104A	M1,PL42SD011A,address e-buffer,V5.0,852*480,NTSC/PAL,42",SD
⑧	ASSY PDP P-ADDRESS F BUFFER	BN96-03105A	M1,PL42SD011A,address f-buffer,V5.0,852*480,NTSC/PAL,42",SD
⑨	ASSY PCB MISC-MAIN	BN94-00933B	PS-42E7S,EU,D74A,AUDI
⑩	ASSY BOARD P-POWER&IR	BN96-02050D	Twister,CT5000-3530A,POWER & IR,Core,No LED Holder
⑪	ASSY SPEAKER P	BN96-02785A	8ohm, Twister,42inch,10W
⑫	ASSY BOARD P-SIDE AV	BN96-03075A	AUDI,SJ05-01-430,Side AV,42E7, With Bracket Shield
⑬	ASSY BOARD P-FUNCTION	BN96-02784A	TWISTER,CT5000-3850A,FUNCTION,42V6,With Knob
⑭	FILTER-EMI AC LINE	2901-001374	250V,6A,UL/SA/VDE,0.15uF/1000pF,50x22.5x37.2mm,BK,AE