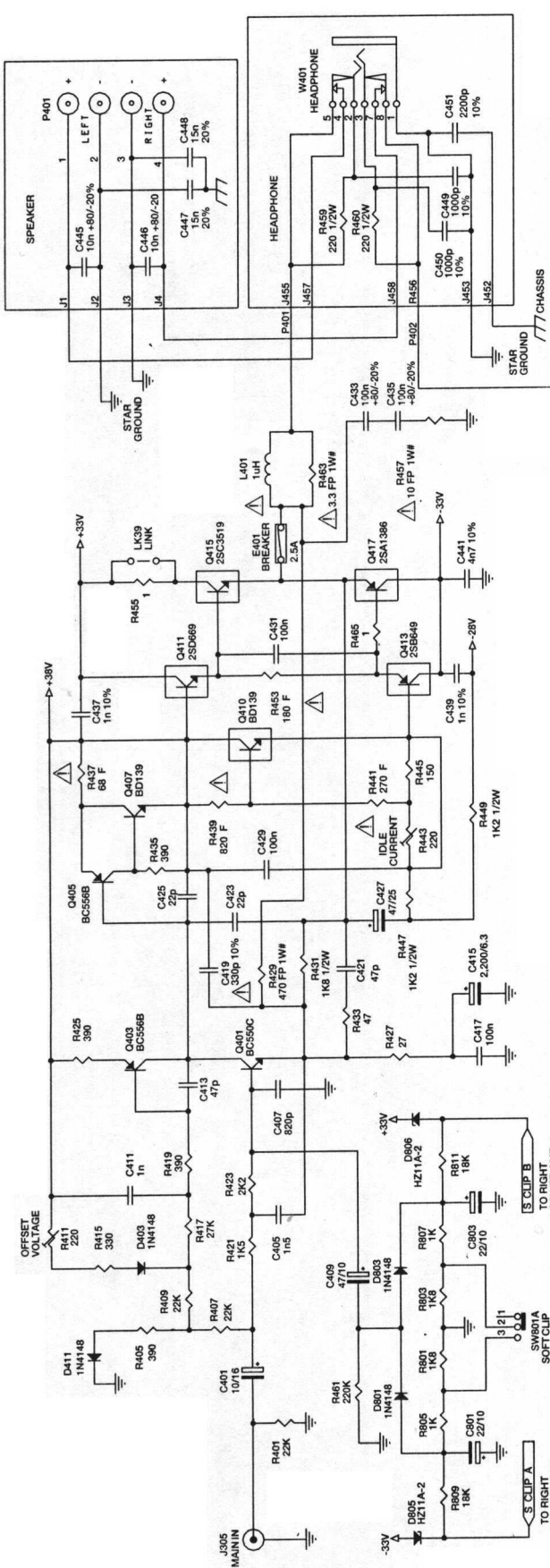
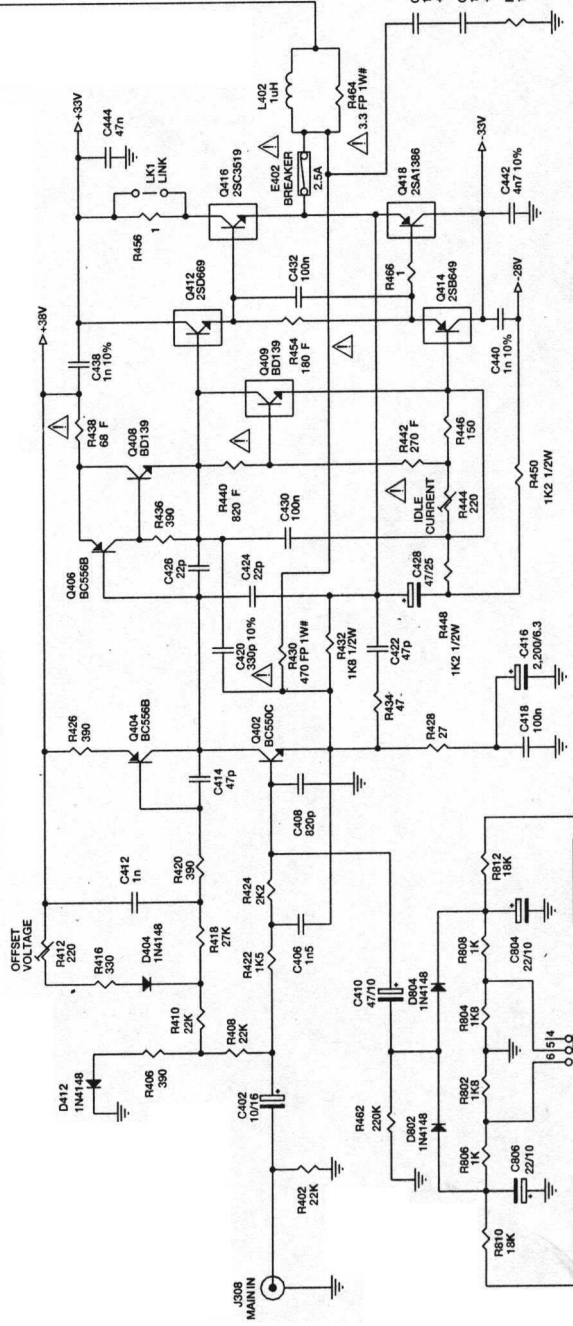


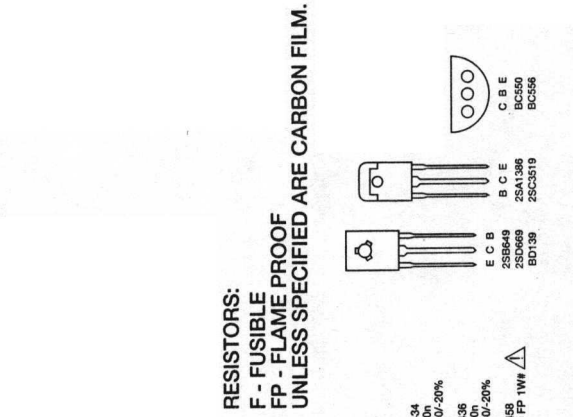
POWER AMPLIFIER



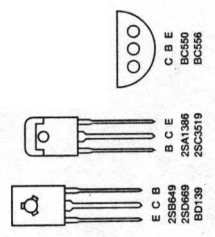
LEFT POWER AMP



RIGHT POWER AMP

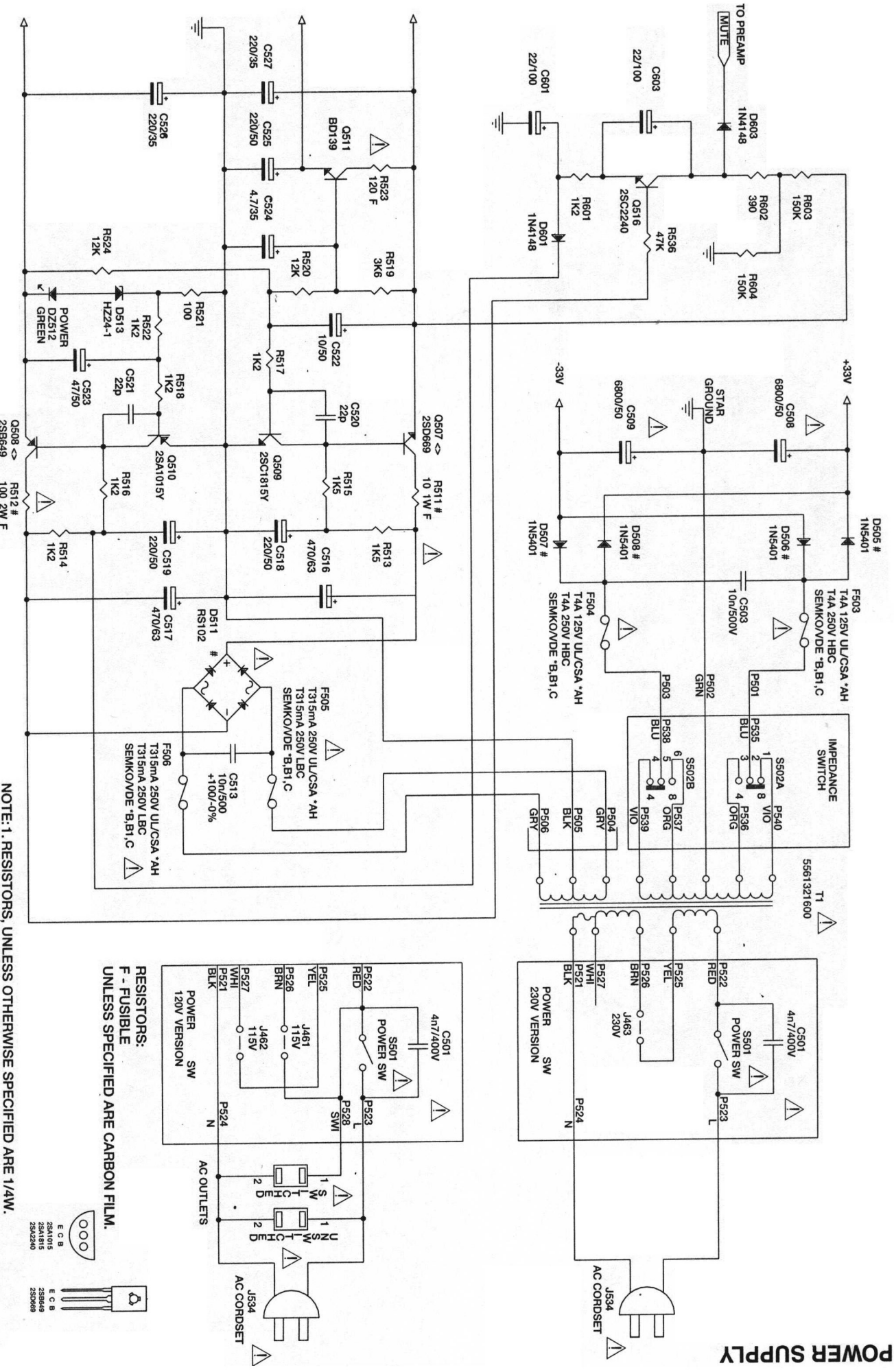


RESISTORS:
F - FUSIBLE
FP - FLAME PROOF
UNLESS SPECIFIED ARE CARBON FILM.



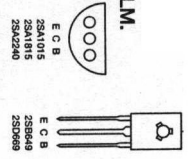
- NOTE: 1. RESISTORS, UNLESS OTHERWISE SPECIFIED ARE 1/4W.
2. ALL CERAMIC CAPACITORS, UNLESS OTHERWISE SPECIFIED ARE 50V, 5%.
3. BLOCKED TRANSISTORS ARE MOUNTED ON MAIN HEATSINK.
4. COMPONENTS MARKED WITH "△" ARE SAFETY CRITICAL PART.
5. COMPONENTS MARKED WITH "#" ARE ELEVATED FROM PCB.

POWER SUPPLY



NOTE: 1. RESISTORS, UNLESS OTHERWISE SPECIFIED ARE 1/4W.
 2. ALL CERAMIC CAPACITORS, UNLESS OTHERWISE SPECIFIED ARE 50V, 5%.
 3. COMPONENTS MARKED WITH "Δ" ARE SAFETY CRITICAL PARTS.
 4. COMPONENTS MARKED WITH "# ARE ELEVATED FROM PCB.
 5. COMPONENTS MARKED WITH "<->" ARE MOUNTED ON SMALL HEATSINK.

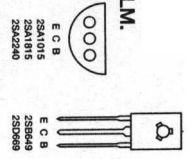
RESISTORS:
 F - FUSIBLE
 UNLESS SPECIFIED ARE CARBON FILM.



POWER SUPPLY

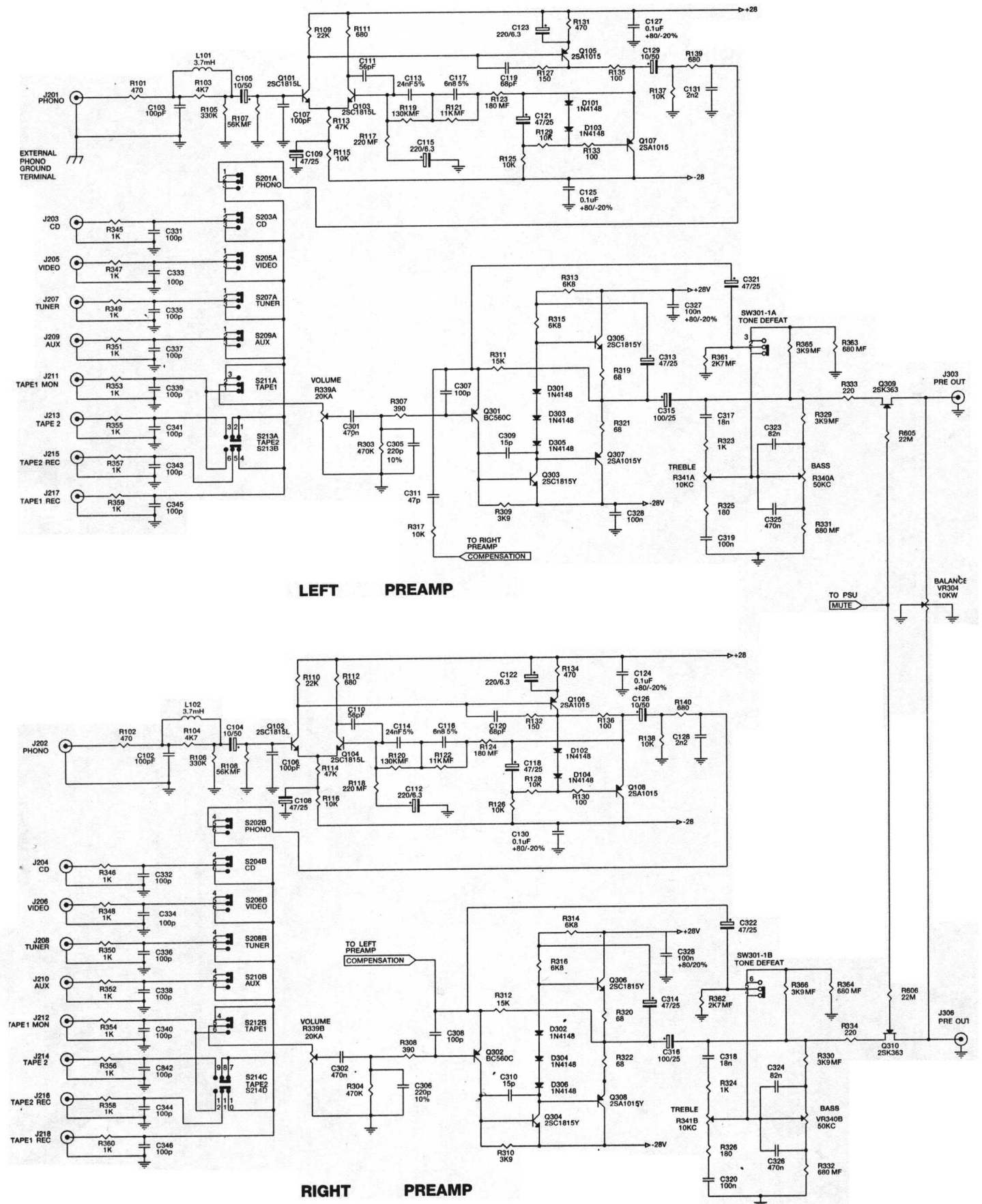
NOTE: 1. RESISTORS, UNLESS OTHERWISE SPECIFIED ARE 1/4W.
 2. ALL CERAMIC CAPACITORS, UNLESS OTHERWISE SPECIFIED ARE 50V, 5%.
 3. COMPONENTS MARKED WITH "Δ" ARE SAFETY CRITICAL PARTS.
 4. COMPONENTS MARKED WITH "# ARE ELEVATED FROM PCB.
 5. COMPONENTS MARKED WITH "<->" ARE MOUNTED ON SMALL HEATSINK.

RESISTORS:
 F - FUSIBLE
 UNLESS SPECIFIED ARE CARBON FILM.



SCHEMATIC DIAGRAM

PREAMP



LEFT PREAMP

RIGHT PREAMP

NOTE: 1. RESISTORS, UNLESS OTHERWISE SPECIFIED ARE 1/4W.
 2. ALL CERAMIC CAPACITORS, UNLESS OTHERWISE SPECIFIED ARE 50V, 5%.

RESISTORS:
 MF - METAL FILM
 UNLESS SPECIFIED
 ARE CARBON FILM.

