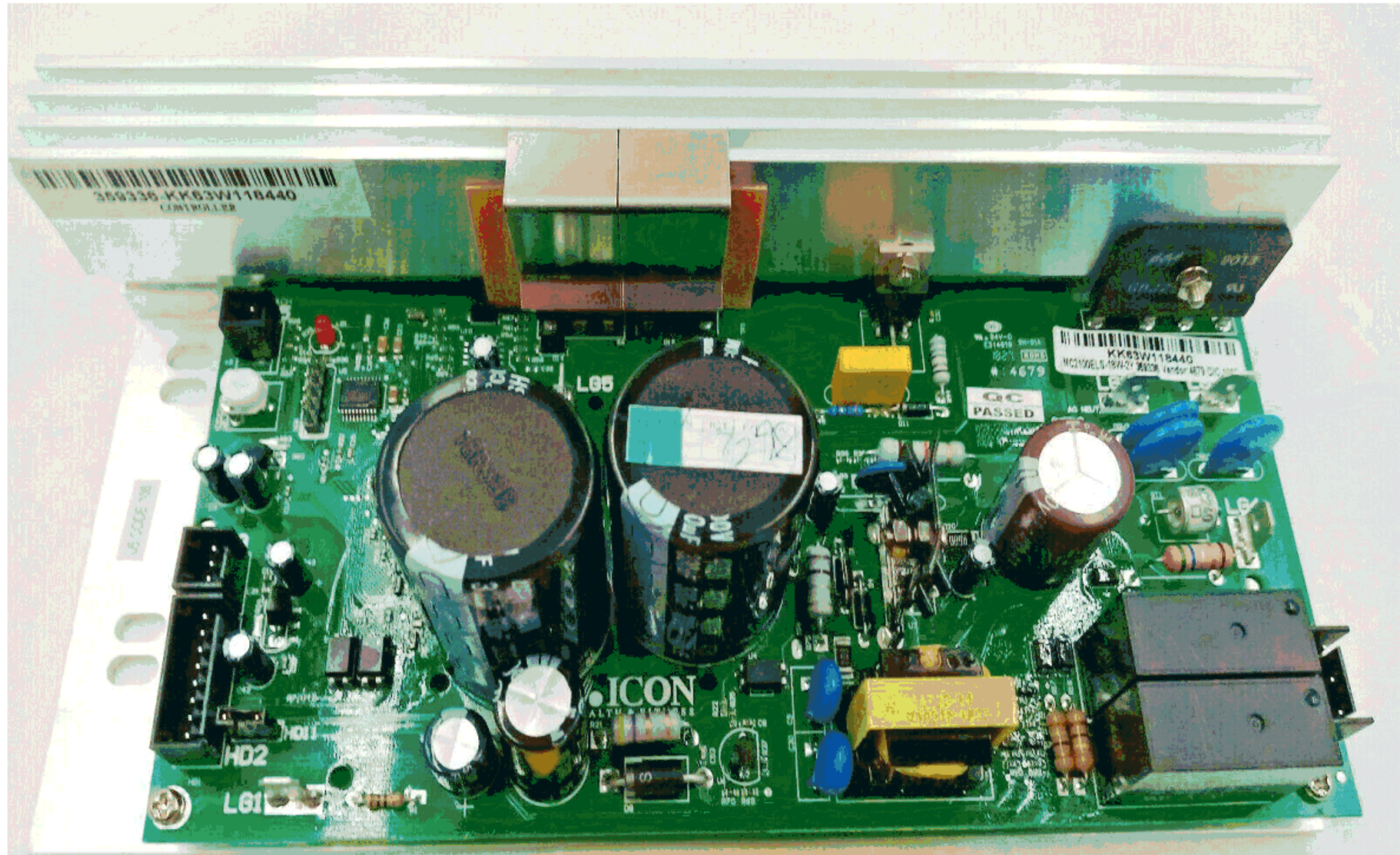
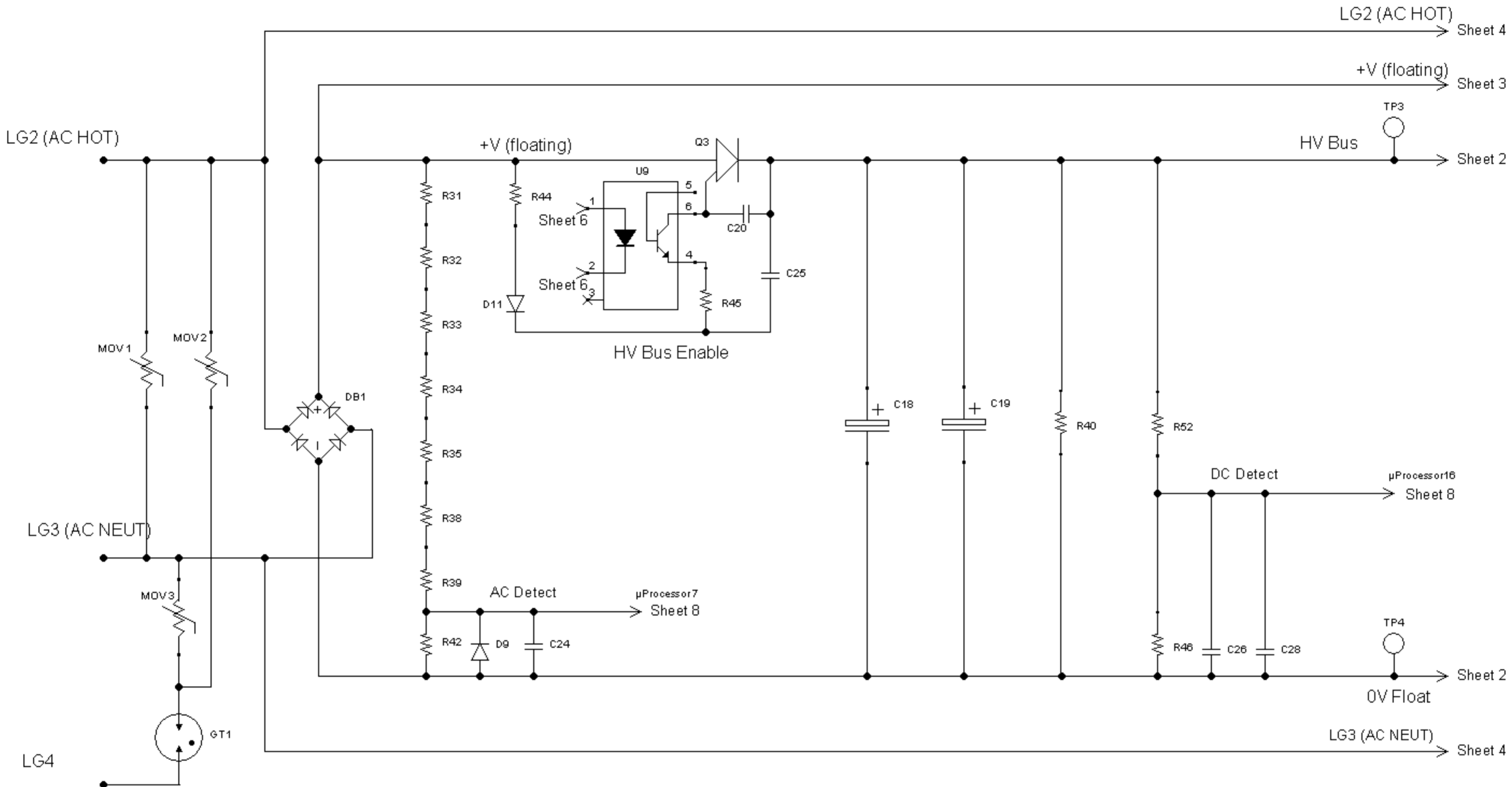




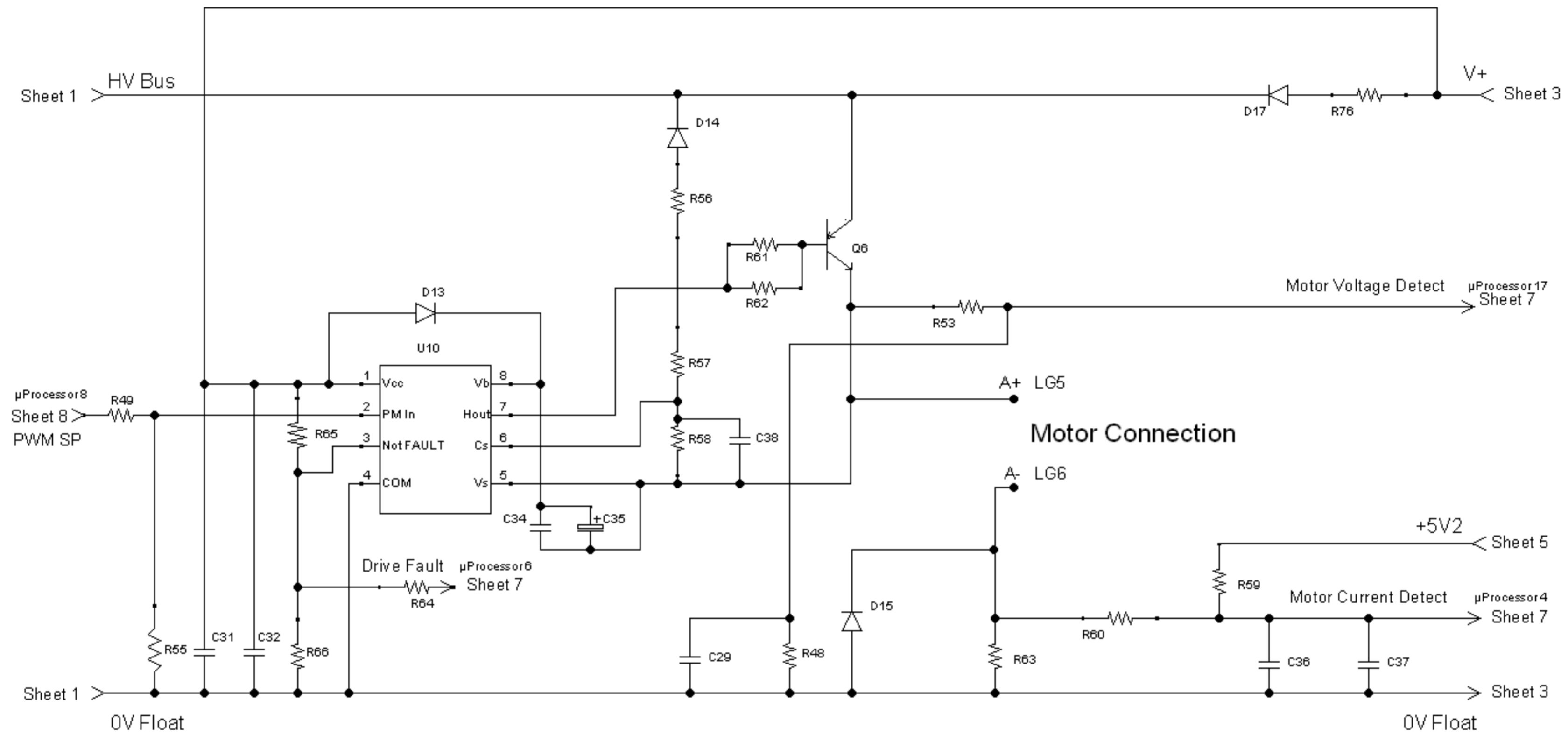
Title MC2100ELS version		
Author J E Y		
File MC2100ELS Tread Mill ... MC2100ELS_18W.dsn	Document	
Revision 1.0	Date 21-02-2020	Sheets A



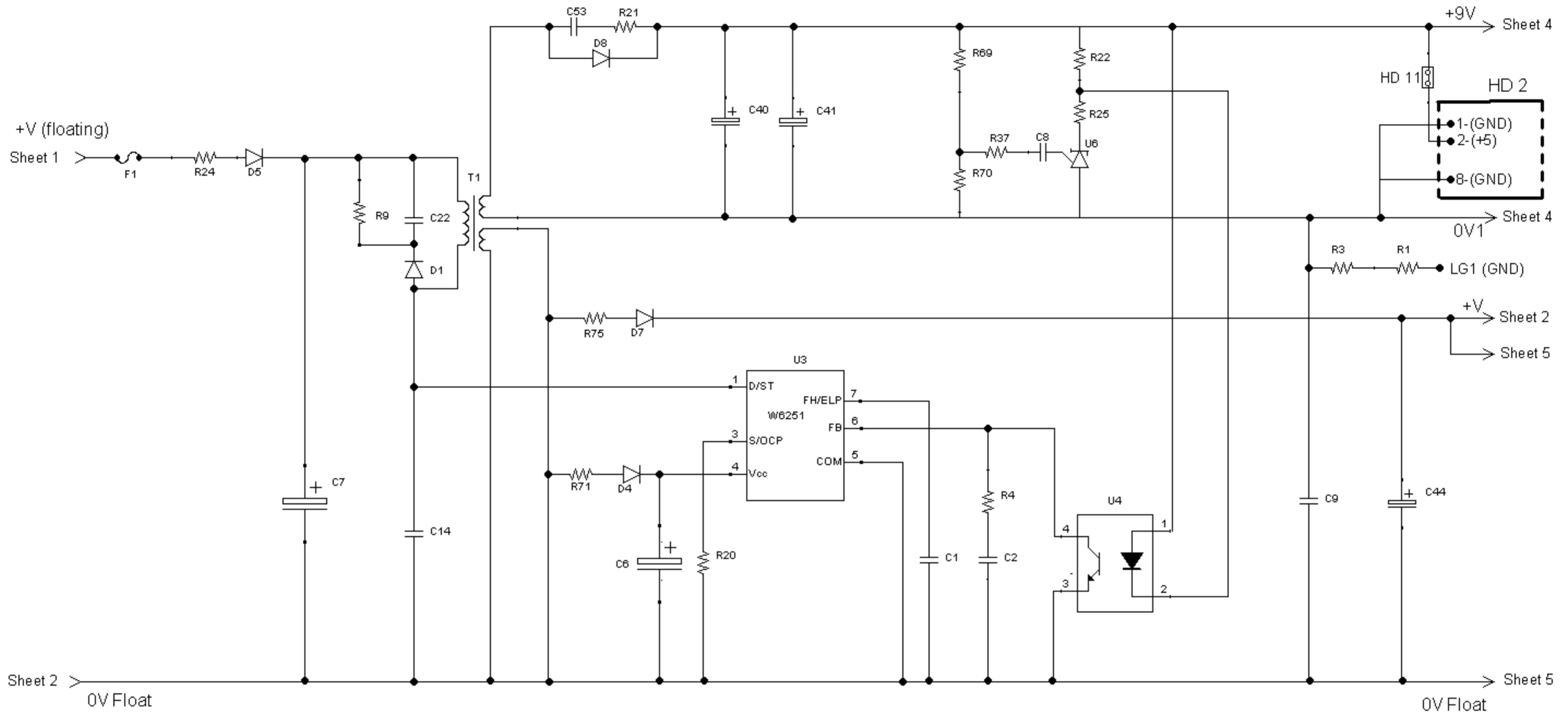
Title MC2100ELS-18W Motor Controller		
Author J E Y		
File MC2100ELS Tread Mill ... MC2100ELS_18W.dsn	Document	
Revision 1.0	Date 21-02-2020	Sheets B



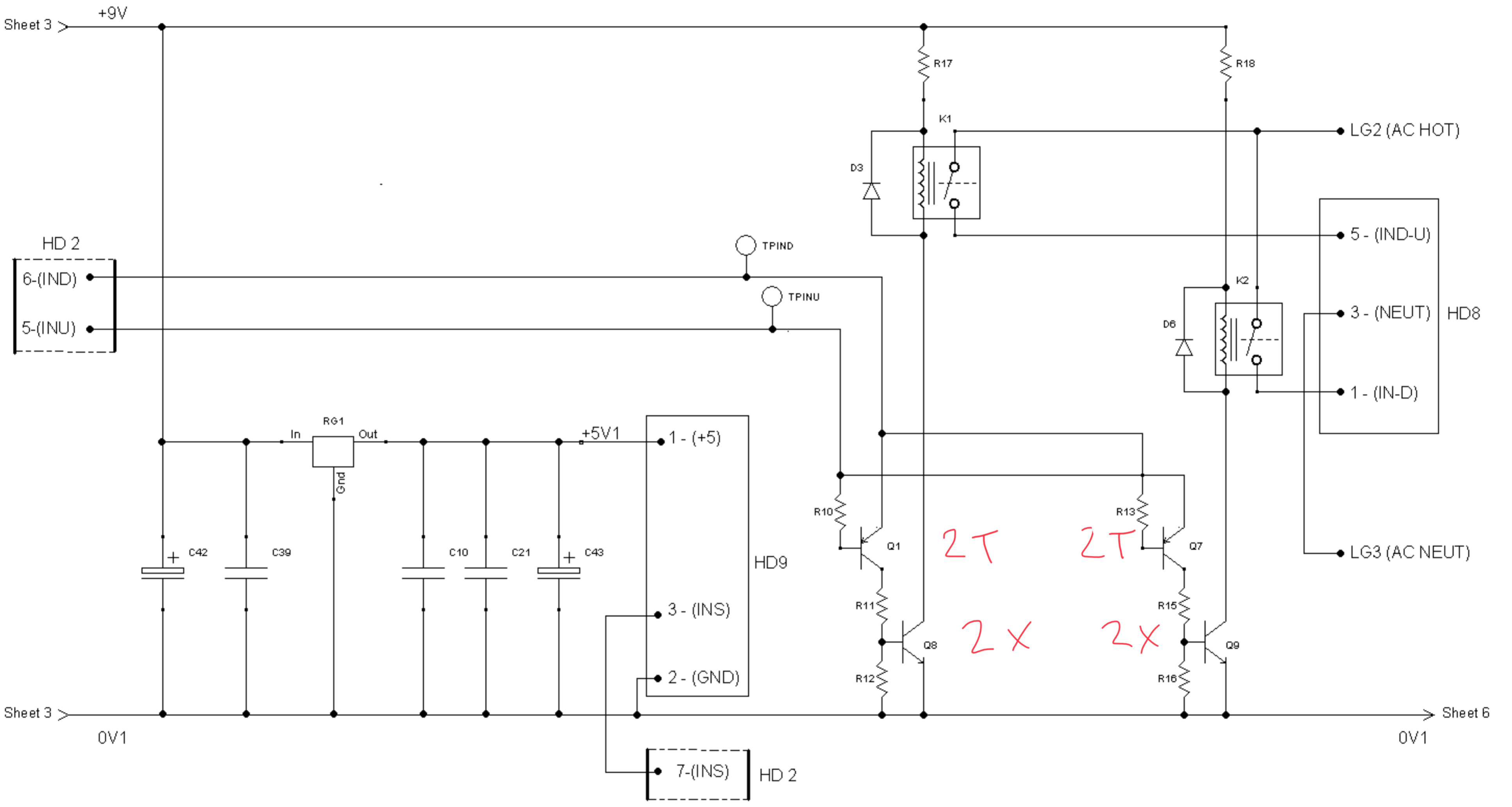
Title MC2100ELS-18W Motor Controller HV Bus		
Author J E Y		
File MC2100ELS Tread Mill ... MC2100ELS_18W.dsn	Document	
Revision 1.0	Date 21-02-2020	Sheets 1 of 7



Title MC2100ELS-18W Motor Controller		
Author J E Y		
File MC2100ELS Tread Mill ... MC2100ELS_18W.dsn	Document	
Revision 1.0	Date 21-02-2020	Sheets 2 of 7



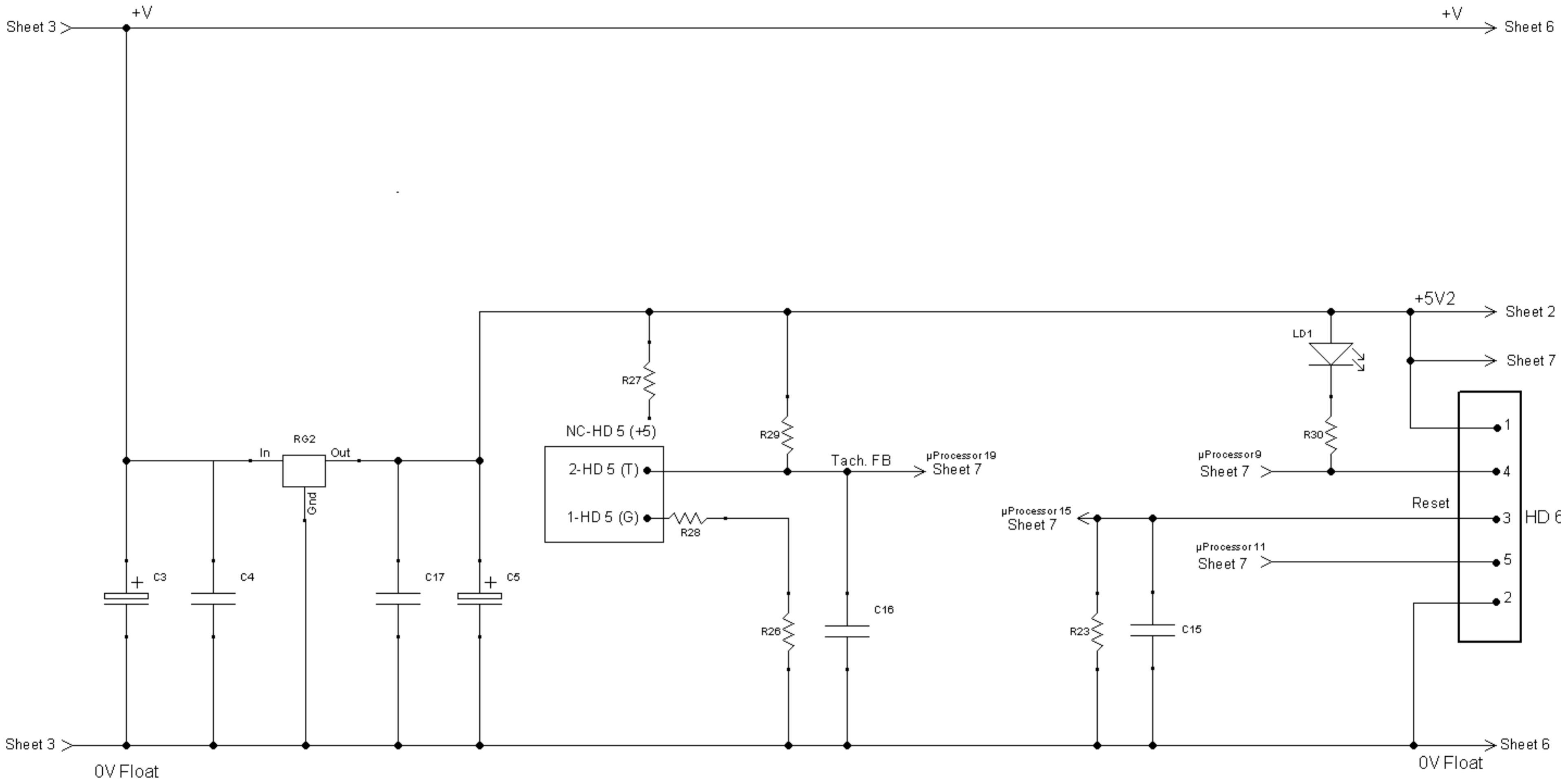
Title MC2100ELS-18W Motor Controller		
Author J E Y		
File MC2100ELS Tread Mill ... MC2100ELS_18W.dsn	Document	
Revision 1.0	Date 21-02-2020	Sheets 3 of 7



Sheet 3

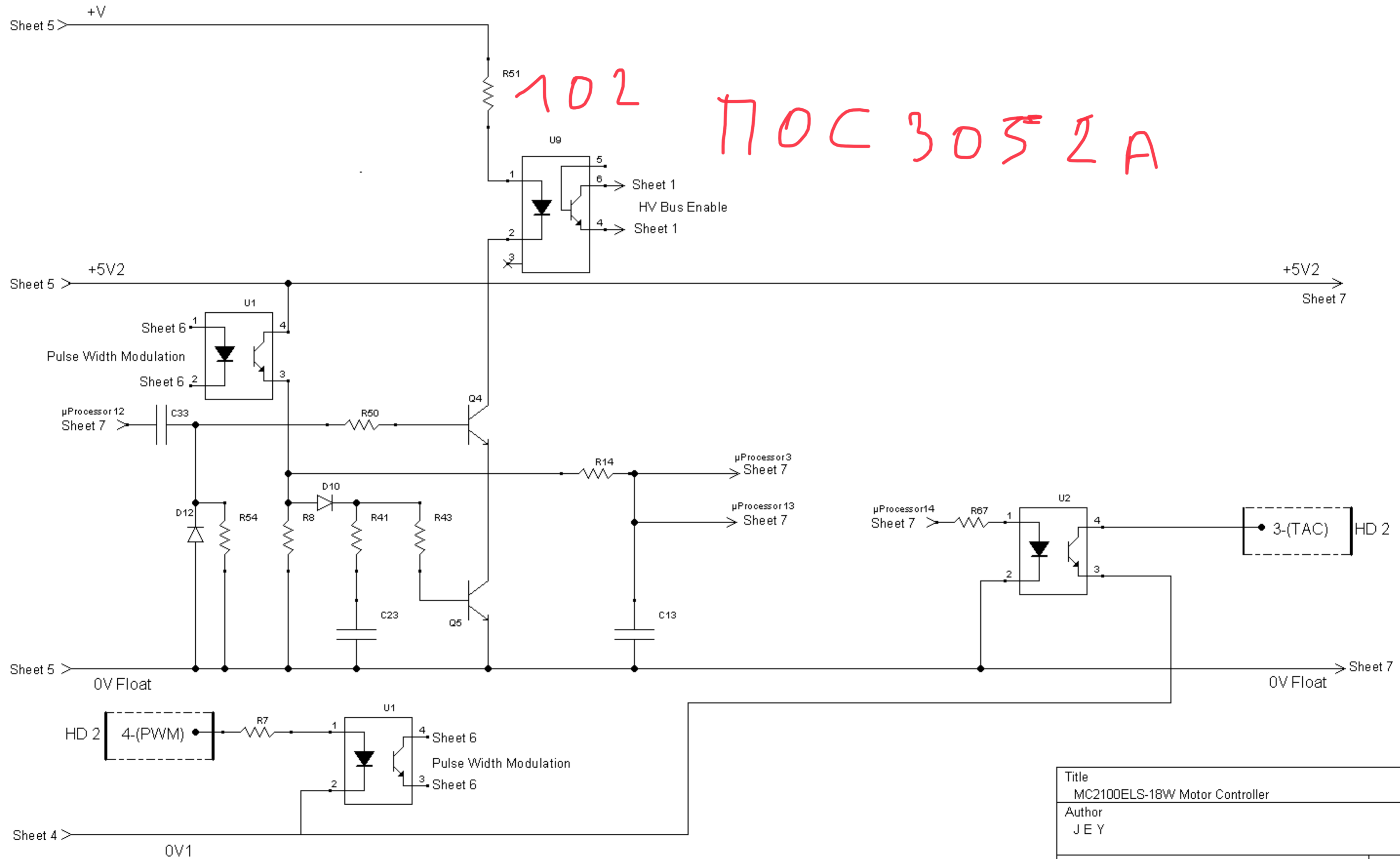
Sheet 6

Title MC2100ELS-18W Motor Controller		
Author J E Y		
File MC2100ELS Tread Mill ... MC2100ELS_18W.dsn	Document	
Revision 1.0	Date 21-02-2020	Sheets 4 of 7



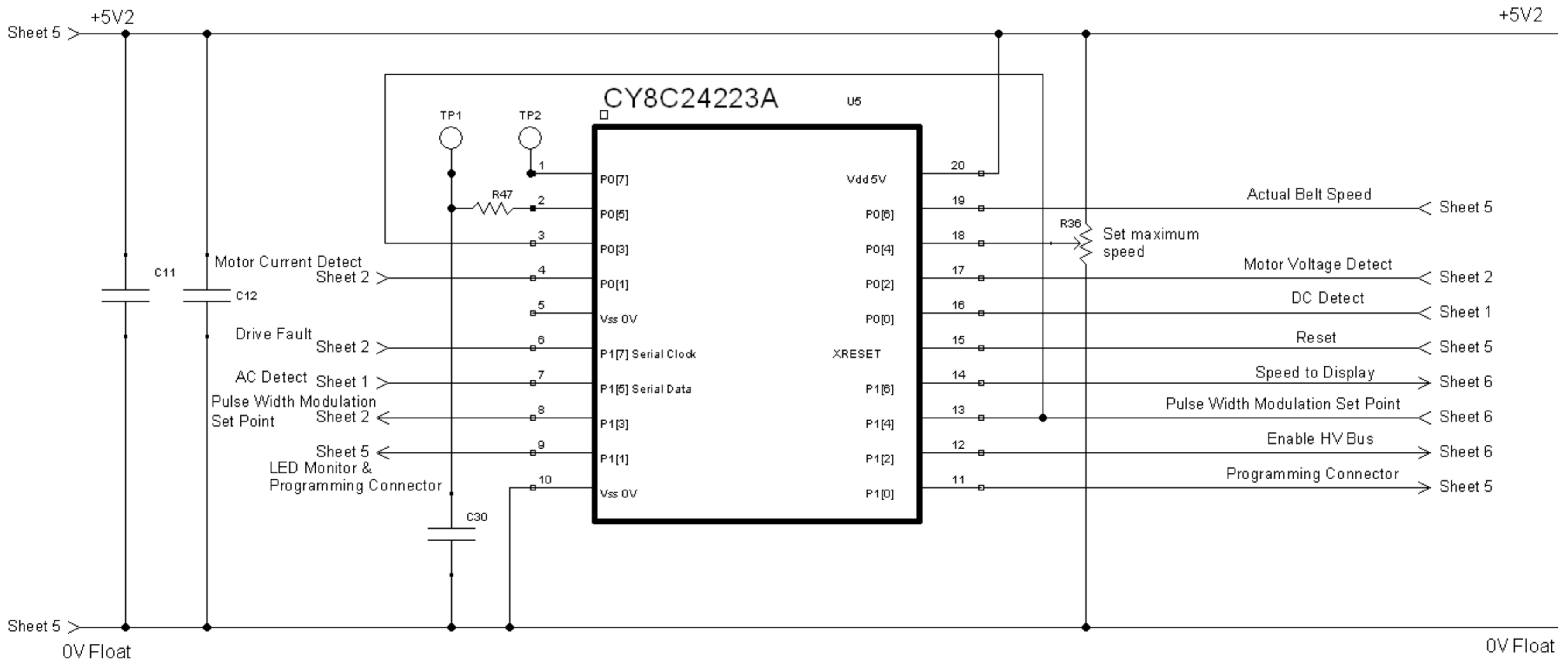
Title MC2100ELS-18W Motor Controller		
Author J E Y		
File MC2100ELS Tread Mill ... MC2100ELS_18W.dsn	Document	
Revision 1.0	Date 21-02-2020	Sheets 5 of 7

102 ПOC 3052A



Title MC2100ELS-18W Motor Controller		
Author J E Y		
File MC2100ELS Tread Mill ... MC2100ELS_18W.dsn	Document	
Revision 1.0	Date 21-02-2020	Sheets 6 of 7





Title MC2100ELS-18W Motor Controller		
Author J E Y		
File MC2100ELS Tread Mill ... MC2100ELS_18W.dsn	Document	
Revision 1.0	Date 21-02-2020	Sheets 7 of 7