

1

2

3

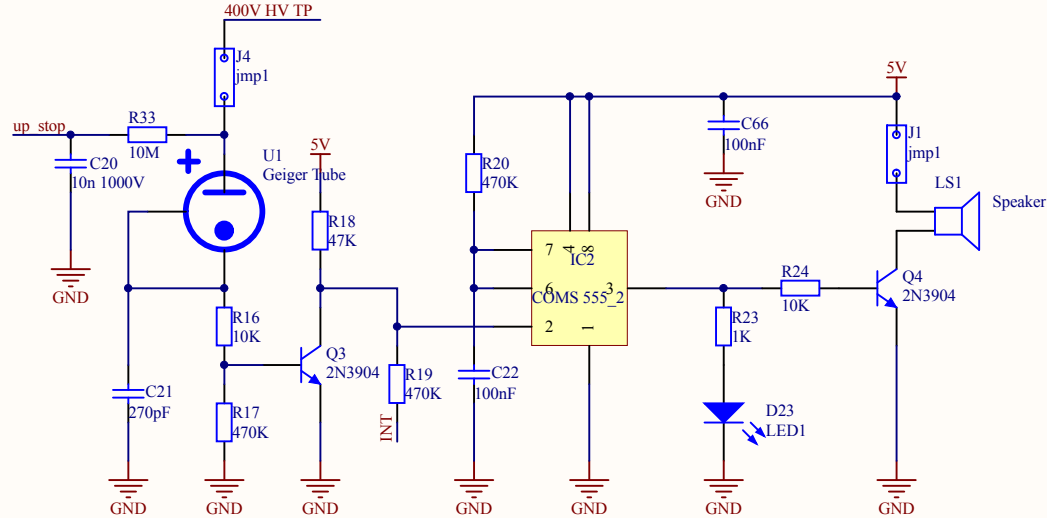
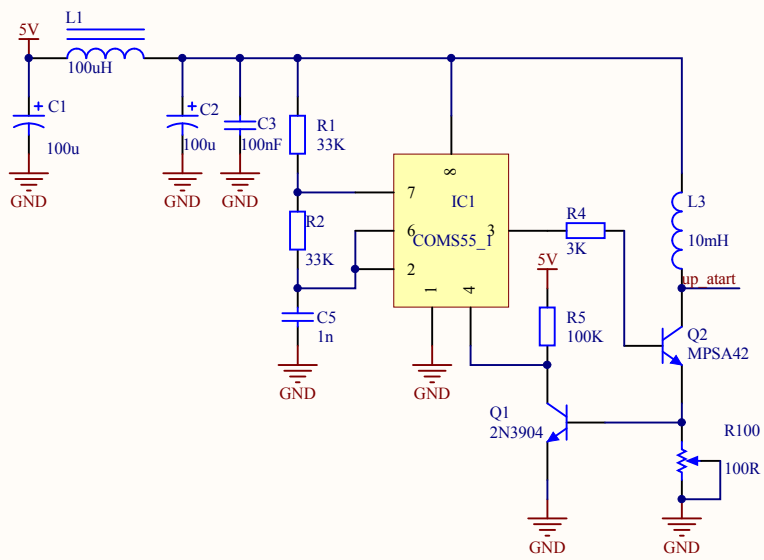
4

A

A

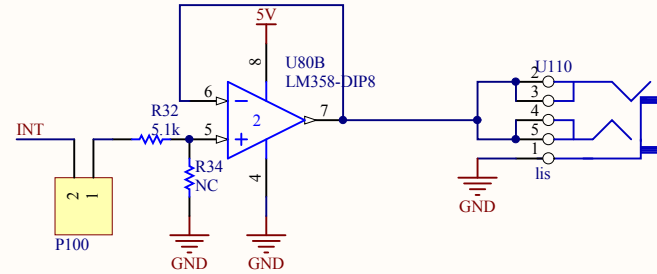
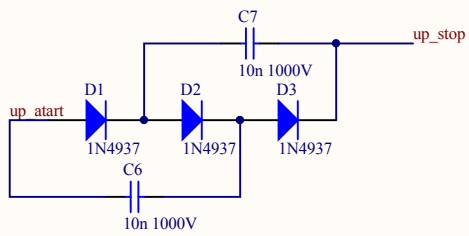
B

B



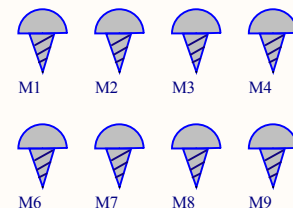
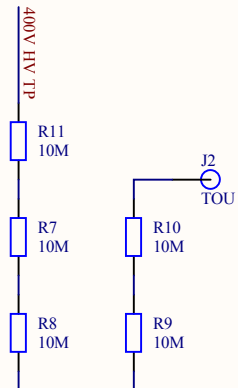
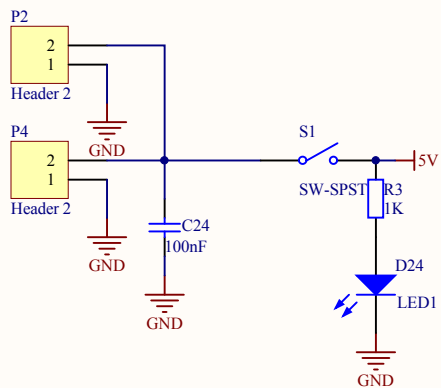
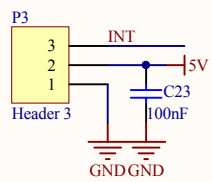
C

C



D

D



Title			Designed by: CAJOE (www.361ic.net)		
Size	Number		Revision		
A4					
Date:	2014-7-3		Sheet of		
File:	E:\Code Altium\...\Sheet1.SchDoc		Drawn By:		

1

2

3

4