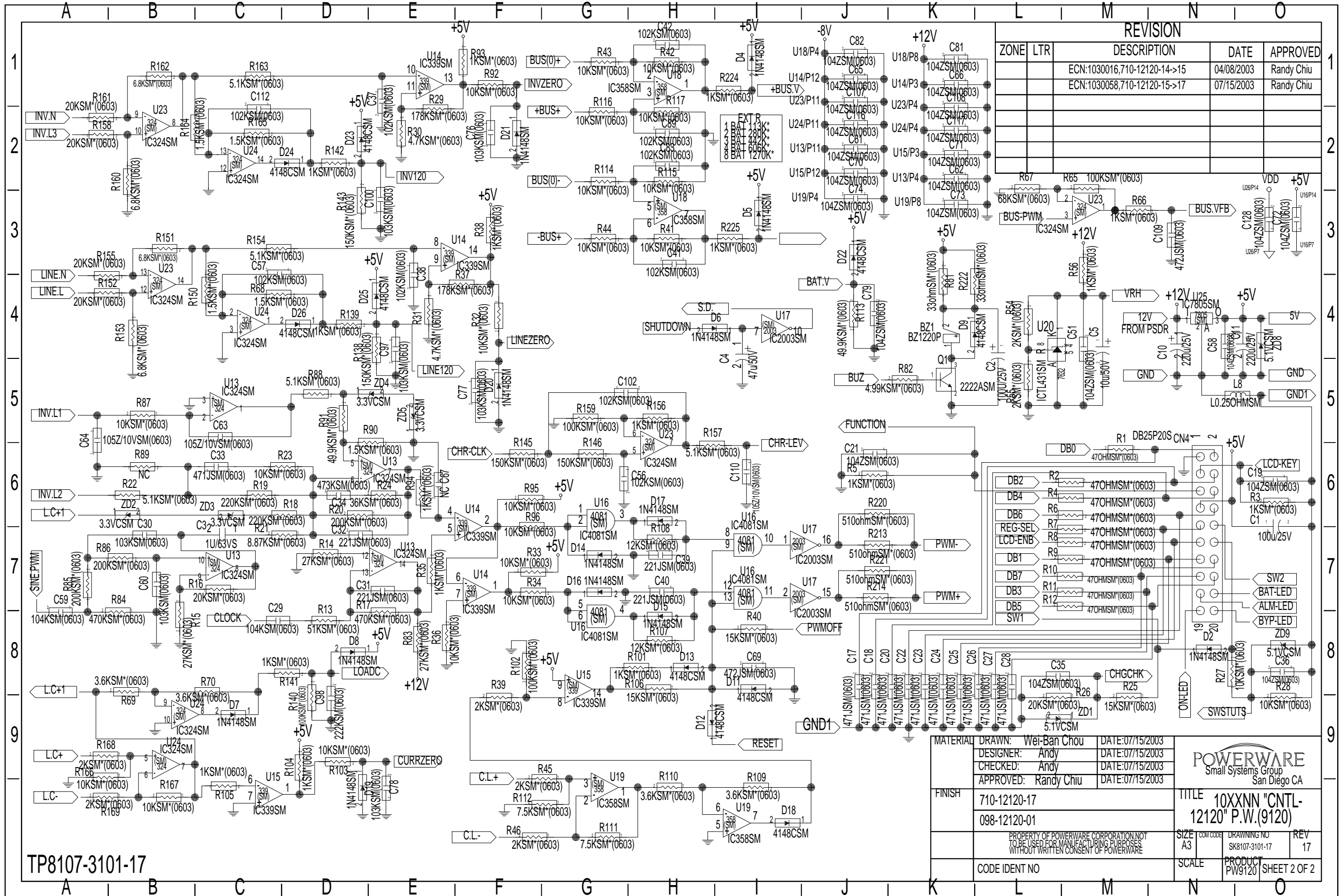


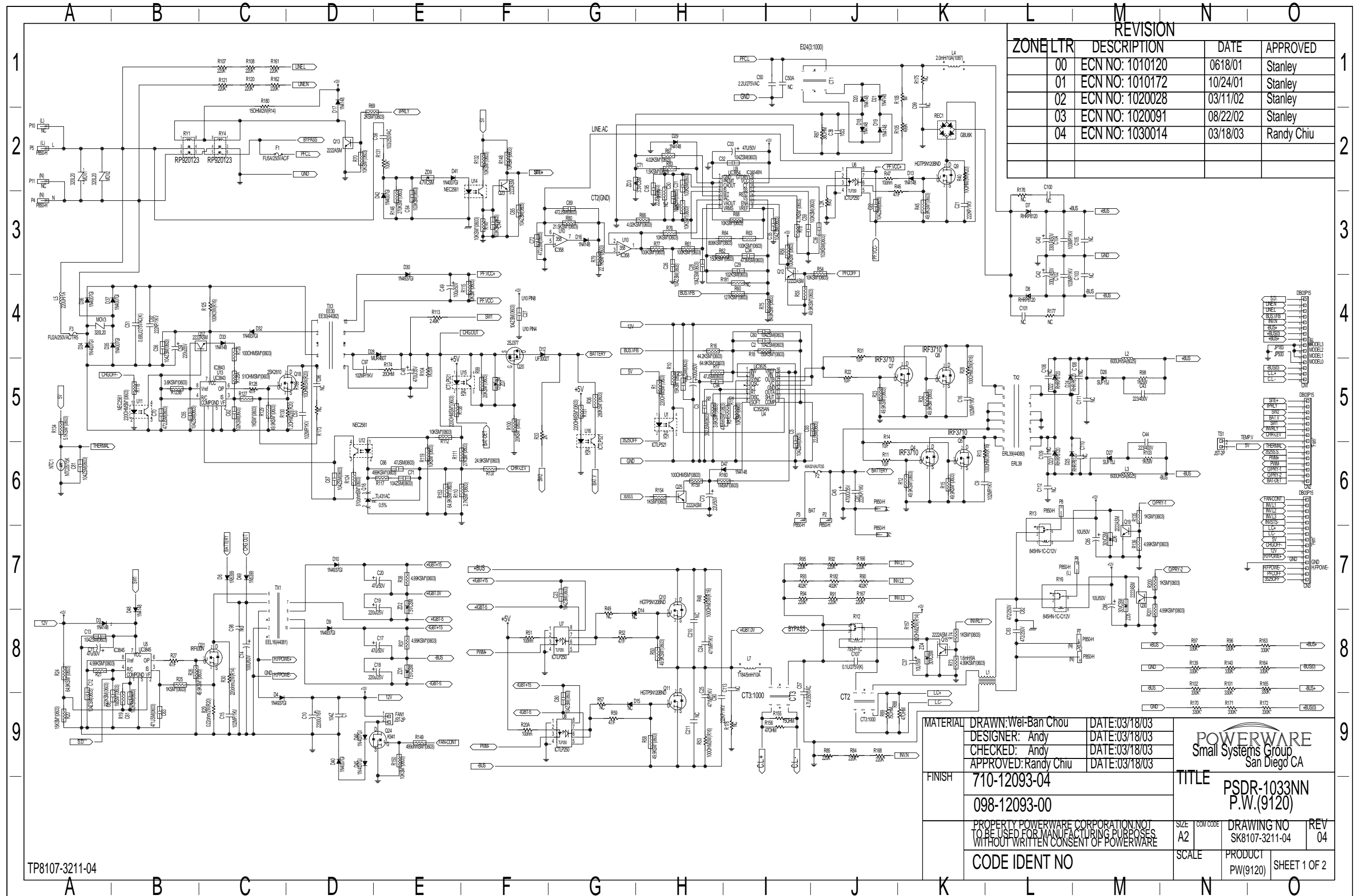
REVISION				
ZONE	LTR	DESCRIPTION	DATE	APPROVED
		ECN NO.1010036	11/19/2001	Stanley Tsai
		ECN NO.1010060 710-12120-01->02	03/16/2001	Stanley Tsai
		ECN NO.1010093 710-12120-02->03	05/16/2001	Stanley Tsai
		ECN NO.1010093 710-12120-03->04	05/16/2001	Stanley Tsai
		ECN NO.1010100 710-12120-04->05	05/30/2001	Stanley Tsai
		ECN NO.1010115 710-12120-05->06	06/08/2001	Stanley Tsai
		ECN NO.1010134 710-12120-06->07	07/10/2001	Stanley Tsai
		ECN NO.1010134 710-12120-07->08	07/10/2001	Stanley Tsai
		ECN NO.1010142 710-12120-08->09	08/01/2001	Stanley Tsai
		ECN NO.1010147	08/08/2001	Stanley Tsai
		ECN NO.1010185 710-12120-09->10	12/04/2001	Stanley Tsai
		ECN NO.1020003 710-12120-10->11	01/18/2002	Stanley Tsai
		ECN NO.1020107 710-12120-11->12	10/18/2002	Randy Chiu
		ECN NO.1020126 710-12120-12->13	11/21/2002	Randy Chiu
		ECN NO.1030004 710-12120-13->14	02/19/2003	Randy Chiu

MATERIAL	DESIGNER: Wei-Ban Chou	DATE: 07/15/2003
FINISH	CHECKED: Andy	DATE: 07/15/2003
	APPROVED: Randy Chiu	DATE: 07/15/2003
	710- 12120-17	
	098- 12120-01	
PROPERTY OF POWERWARE CORPORATION NOT TO BE USED FOR MANUFACTURING PURPOSES WITHOUT WRITTEN CONSENT OF POWERWARE		
CODE IDENT NO	SCALE	SHEET 1 OF 2

<b>POWERWARE</b> Small Systems Group San Diego CA			
TITLE 10XXNN "CNTL-12120" P.W.(9120)			
SIZE	COM CODE	DRAWING NO	REV
A3		SK8107-3101-17	17
PRODUCT	SCALE	PW9120	

TP8107-3101-17

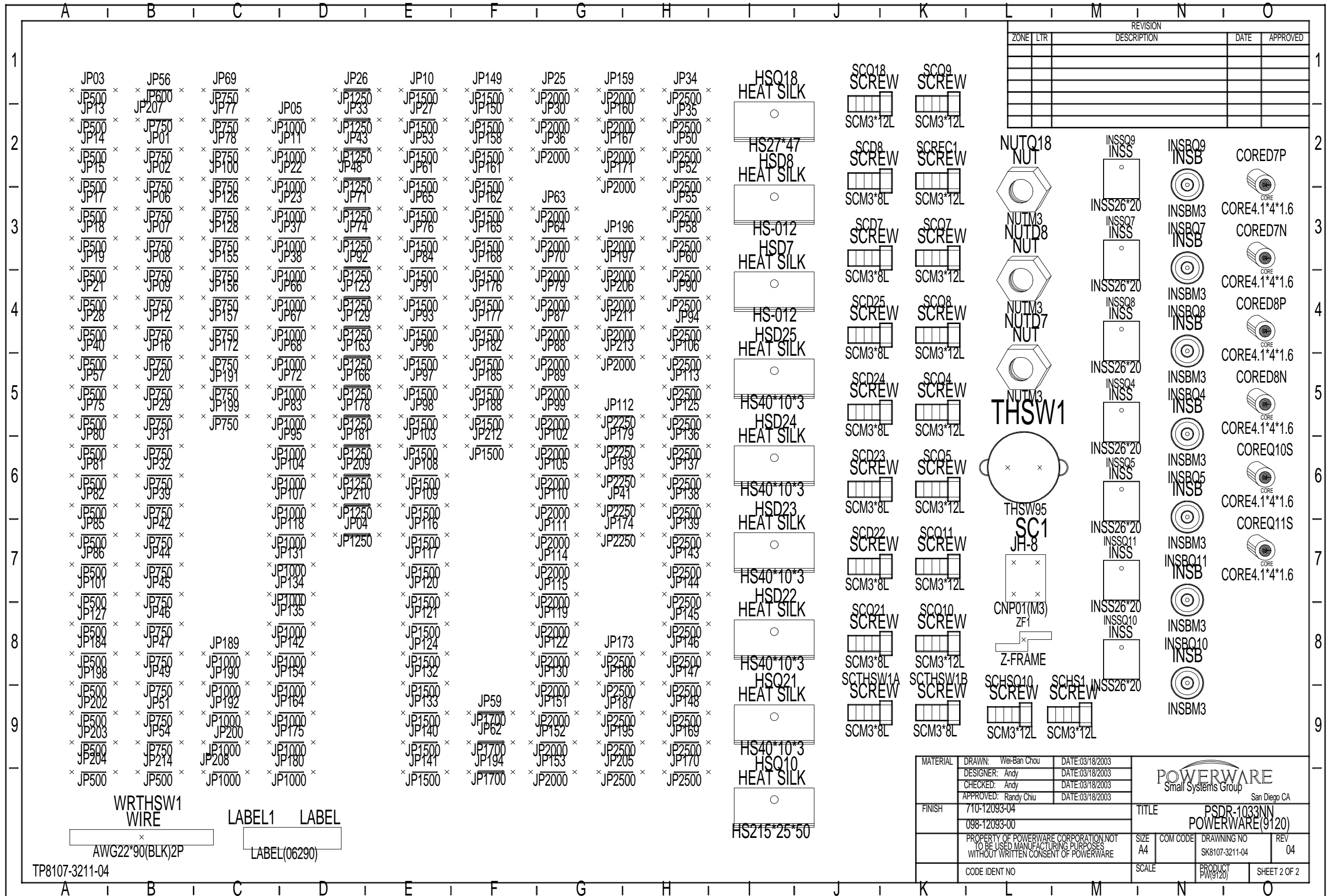


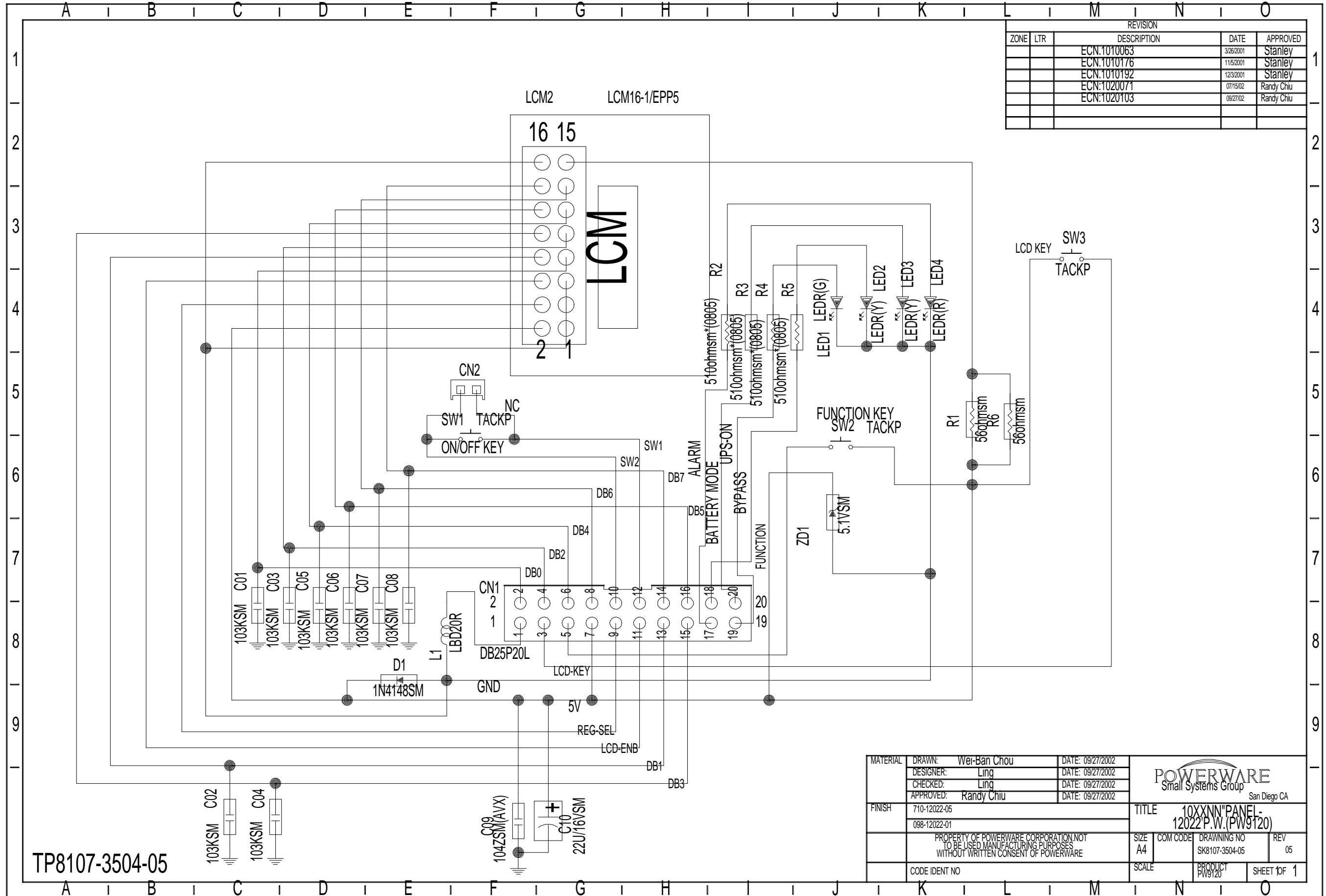


REVISION			
ZONE/LTR	DESCRIPTION	DATE	APPROVED
00	ECN NO: 1010120	0618/01	Stanley
01	ECN NO: 1010172	10/24/01	Stanley
02	ECN NO: 1020028	03/11/02	Stanley
03	ECN NO: 1020091	08/22/02	Stanley
04	ECN NO: 1030014	03/18/03	Randy Chiu

MATERIAL	DRAWN: Wei-Ban Chou	DATE: 03/18/03	 Small Systems Group San Diego CA	
DESIGNER: Andy	CHECKED: Andy	DATE: 03/18/03		
APPROVED: Randy Chiu	DATE: 03/18/03			
FINISH	710-12093-04			
	098-12093-00		TITLE	PSDR-1033NN P.W.(9120)
PROPERTY POWERWARE CORPORATION NOT TO BE USED FOR MANUFACTURING PURPOSES WITHOUT WRITTEN CONSENT OF POWERWARE			SIZE	A2
CODE IDENT NO			CON CODE	DRAWING NO
			SCALE	SK8107-3211-04
			PRODUCT	REV
			PW(9120)	04
			SHEET 1 OF 2	

TP8107-3211-04





REVISION				
ZONE	LTR	DESCRIPTION	DATE	APPROVED
		ECN:1010063	3/26/2001	Stanley
		ECN:1010176	11/5/2001	Stanley
		ECN:1010192	12/3/2001	Stanley
		ECN:1020071	07/15/02	Randy Chiu
		ECN:1020103	09/27/02	Randy Chiu

TP8107-3504-05

MATERIAL	DRAWN: Wei-Ban Chou	DATE: 09/27/2002		
FINISH	CHECKED: Ling	DATE: 09/27/2002		
	APPROVED: Randy Chiu	DATE: 09/27/2002		
		DATE: 09/27/2002		
	710-12022-05		TITLE	10XXNN" PANEL - 12022 P.W.(PW9120)
	098-12022-01		SIZE	A4
	PROPERTY OF POWERWARE CORPORATION NOT TO BE USED MANUFACTURING PURPOSES WITHOUT WRITTEN CONSENT OF POWERWARE		COM CODE	SK8107-3504-05
	CODE IDENT NO		SCALE	SHEET 1 OF 1