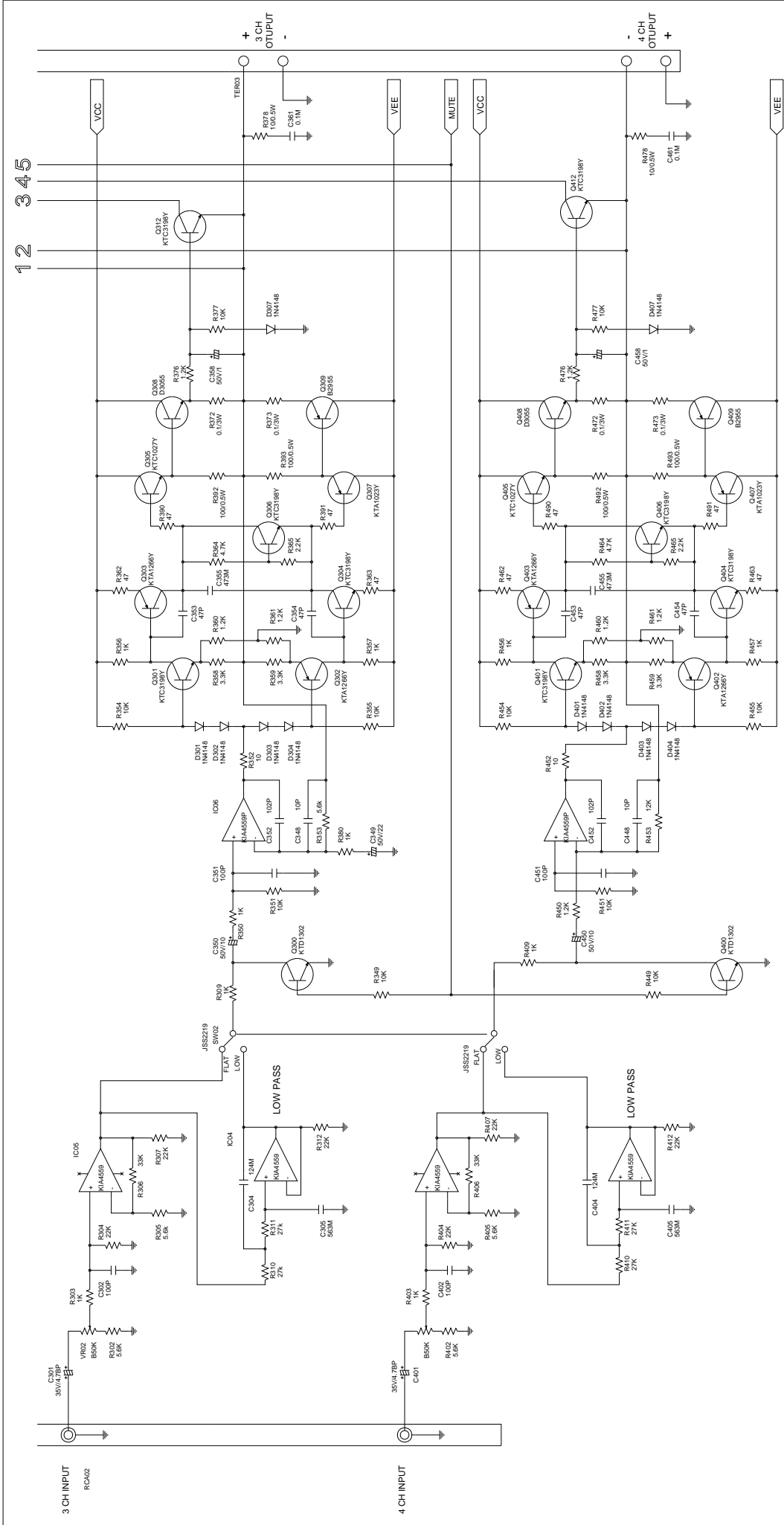


COMP.	JENSEN
MODEL	INVADER 4000
REV.	A
DATE	06.19.01.
SHEET	1 OF 3

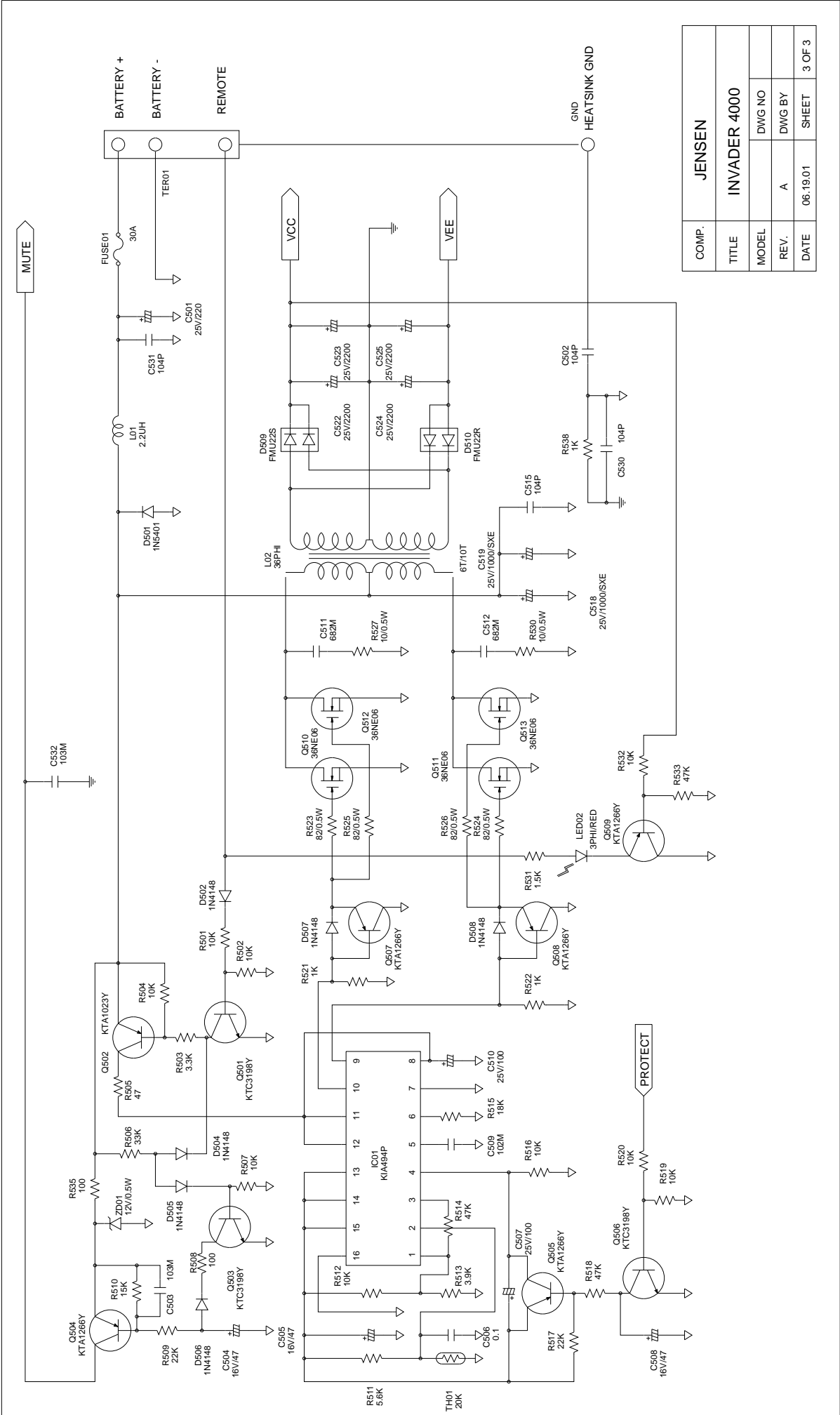
12 345



1 2 3 4 5

COMP.	JENSEN		
MODEL	INVADER 4000		
REV.	A	DWG BY	
DATE	06:19:01.	SHEET	2 OF 3





COMP.	JENSEN		
TITLE	INVADER 4000		
MODEL		DWG NO	
REV.	A	DWG BY	
DATE	06:19:01	SHEET	3 OF 3