

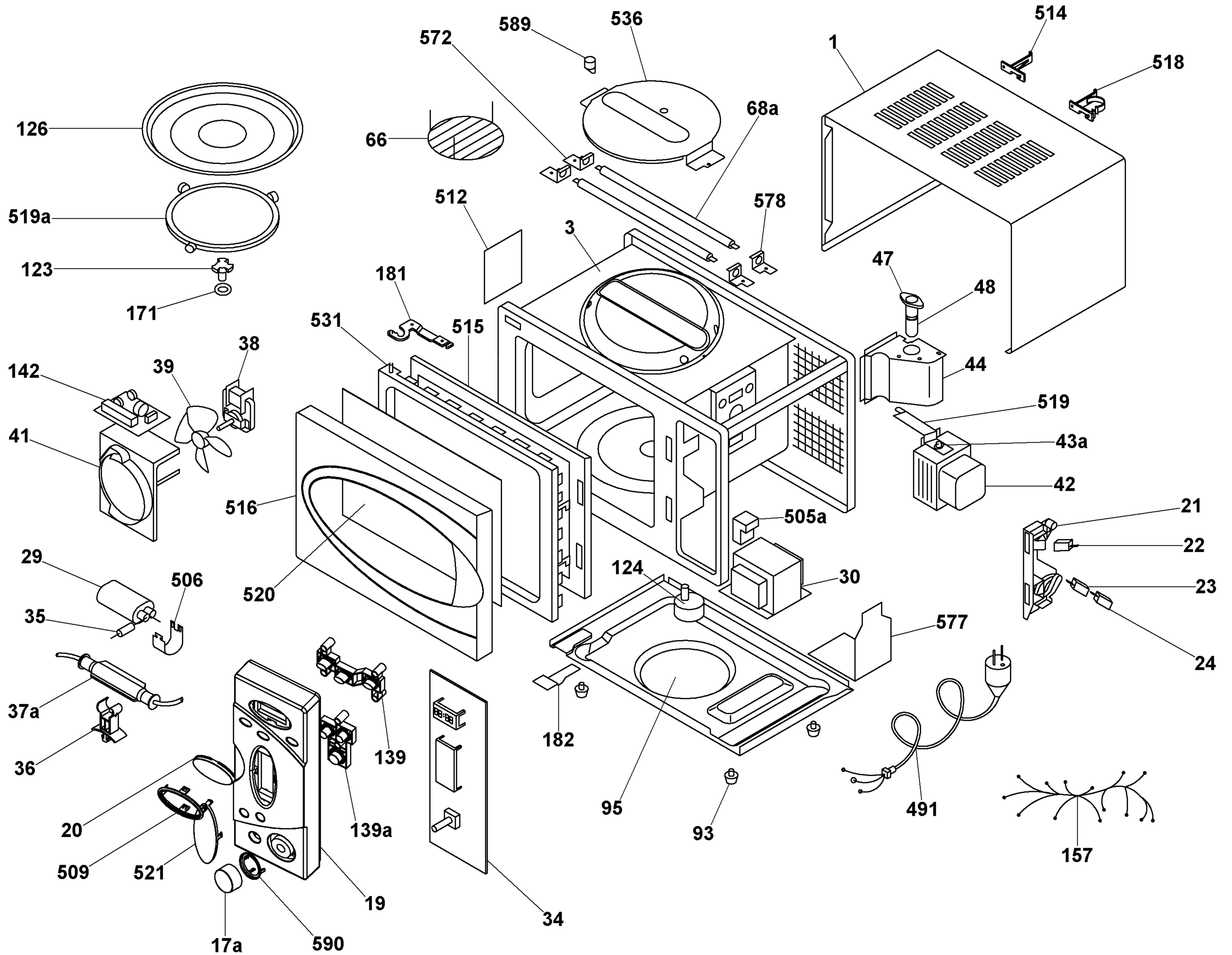


Assistenza Tecnica After Sales Service Service Apres Vente Kundendienst Servicio Post-Venta

**CANDY**

**38000004 CMW900EH**

**Service Manual**



**Mod: 38000004 CMW900EH 0309 (25/02/2003)**

Ref.	Descrizione - Description - Beschreibung - Descripcion	Ricambio Part No. Piece E-Teil Pieza	Inizio Beginning Debut Begin Inicio	Fine Ending Fin End Fin
1	Cover	49003814		
3	Oven cabinet assy.	49003813		
17a	Knob	49003830		
19	Control panel	49003825		
20	Lens	49003831		
21	Microswitch fixing braket	49003819		
22	Microswitch	49003845		
23	Microswitch	49003846		
24	Microswitch	49003847		
29	Capacitor	49003839		
30	Power transformer	49003848		
34	Electronic module	49003852		
35	Diode	49003838		
36	Fuse holder	49003794		
37a	Fuse	49003837		
38	Fan motor	49003841		
39	Fan	49003797		
41	Scroll	49003796		
42	Magnetron	49003844		
43a	Thermostat	49003843		
44	Air duct	49003818		
47	Light socket	49003817		
48	Light bulb	49003842		
66	Grill	49003863		
68a	Heater	49003854		
93	Foot	49003822		
95	Lower cover	49003823		
123	Motor shaft hub	49003802		
124	Motor	49003851		
126	Rotating plate	49003805		
139	Switch assy	49003829		

**Mod: 38000004 CMW900EH 0309 (25/02/2003)**

Ref.	Descrizione - Description - Beschreibung - Descripcion	Ricambio Part No. Piece E-Teil Pieza	Inizio Beginning Debut Begin Inicio	Fine Ending Fin End Fin
139a	Switch assy	49003833		
142	Filter module	49003840		
157	Harness	49003849		
171	Washer	49003800		
181	Upper hinge	49003807		
182	Lower hinge	49003824		
491	Main cord	49003850		
505a	Rubber cushion	49003820		
506	Support	49003795		
509	Frame	49003835		
512	Closure	49003806		
514	Support	49003815		
515	Frame	49003799		
516	Front trim	49003789		
518	Support	49003816		
519	Support	49003828		
519a	Rotating plate support	49003803		
520	Door front	49003793		
521	Glass	49003832		
531	Door	49003798		
536	Upper insulating	49003827		
572	Support	49003826		
577	Bracket	49003821		
578	Support	49003836		
589	Thermostat	49003853		
590	Frame	49003834		

# SCHEMATIC DIAGRAM

NOTE: Door is closed  
Unit is not operated

