



OMNITRONIC BX-524
Beatcounter-Mixer

Service-manual

Serviceunterlagen

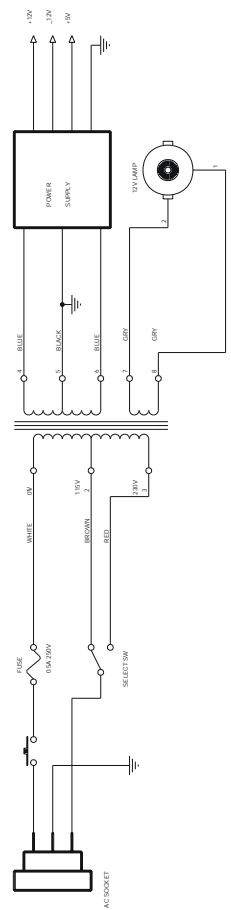
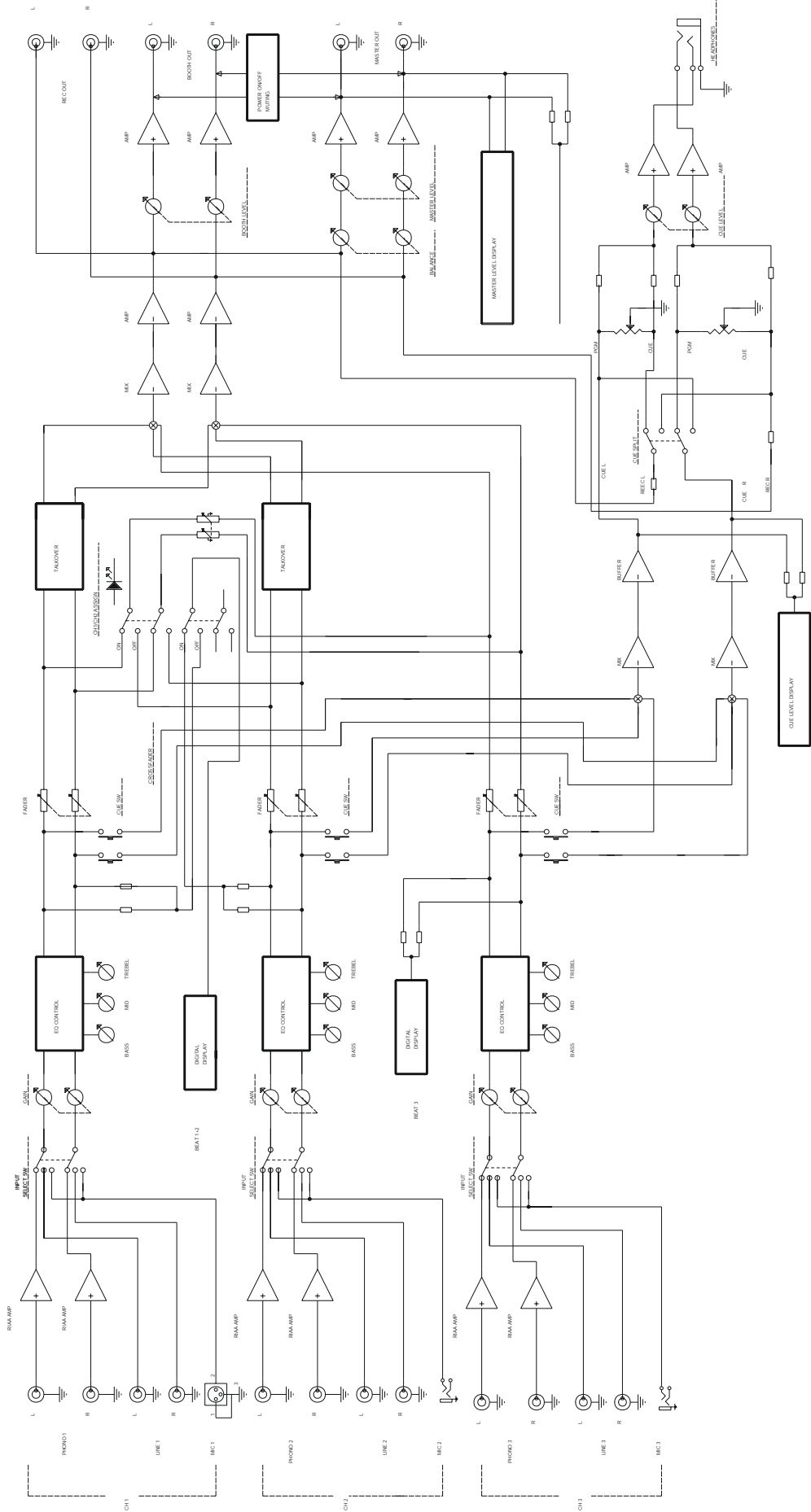
Documents techniques

Documentos de servicio

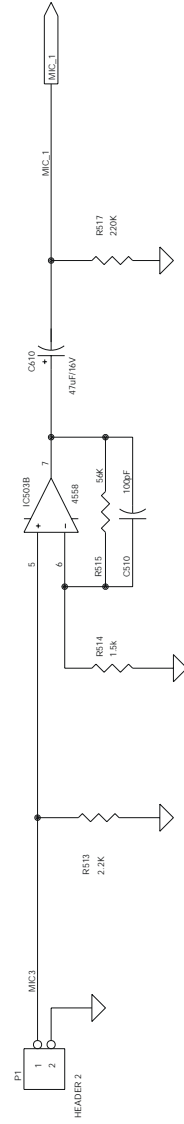
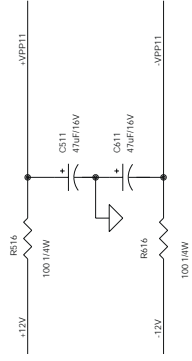
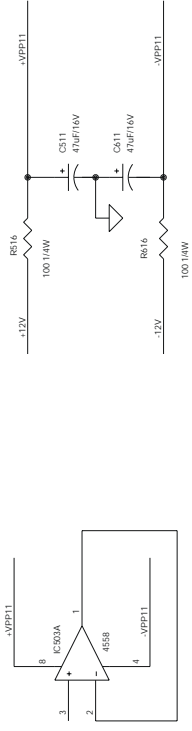
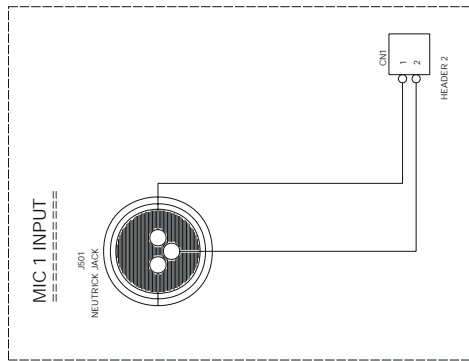
Version 2.0

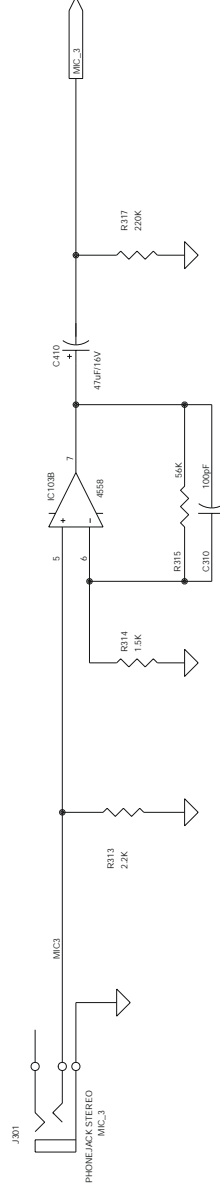
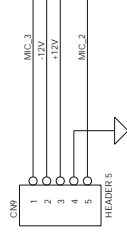
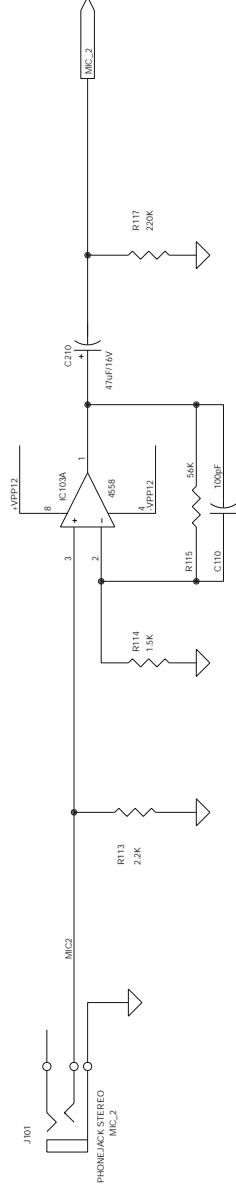
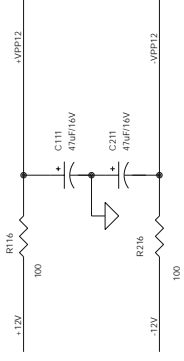
I. No.	Artikelbeschreibung	Article designation	Description d'article
1	GAIN-Poti für PM-524	GAIN-poti for PM-524	GAIN-poti pour PM-524
2	Trafo für BX-524	Transformer for BX-524	Transformateur pour BX-524
3	Netzschalter für BX-524	Powerswitch for BX-524	Interrupteur ON/OFF pour BX-524
4	Netzschalter für 524Serie	Powerswitch for 524series	Interrupteur ON/OFF pour série 524
5	Schaltplan für BX-524	Circuit diagram for BX-524	Schema de connexions pour BX-524

BX524 BLOCK DIAGRAM



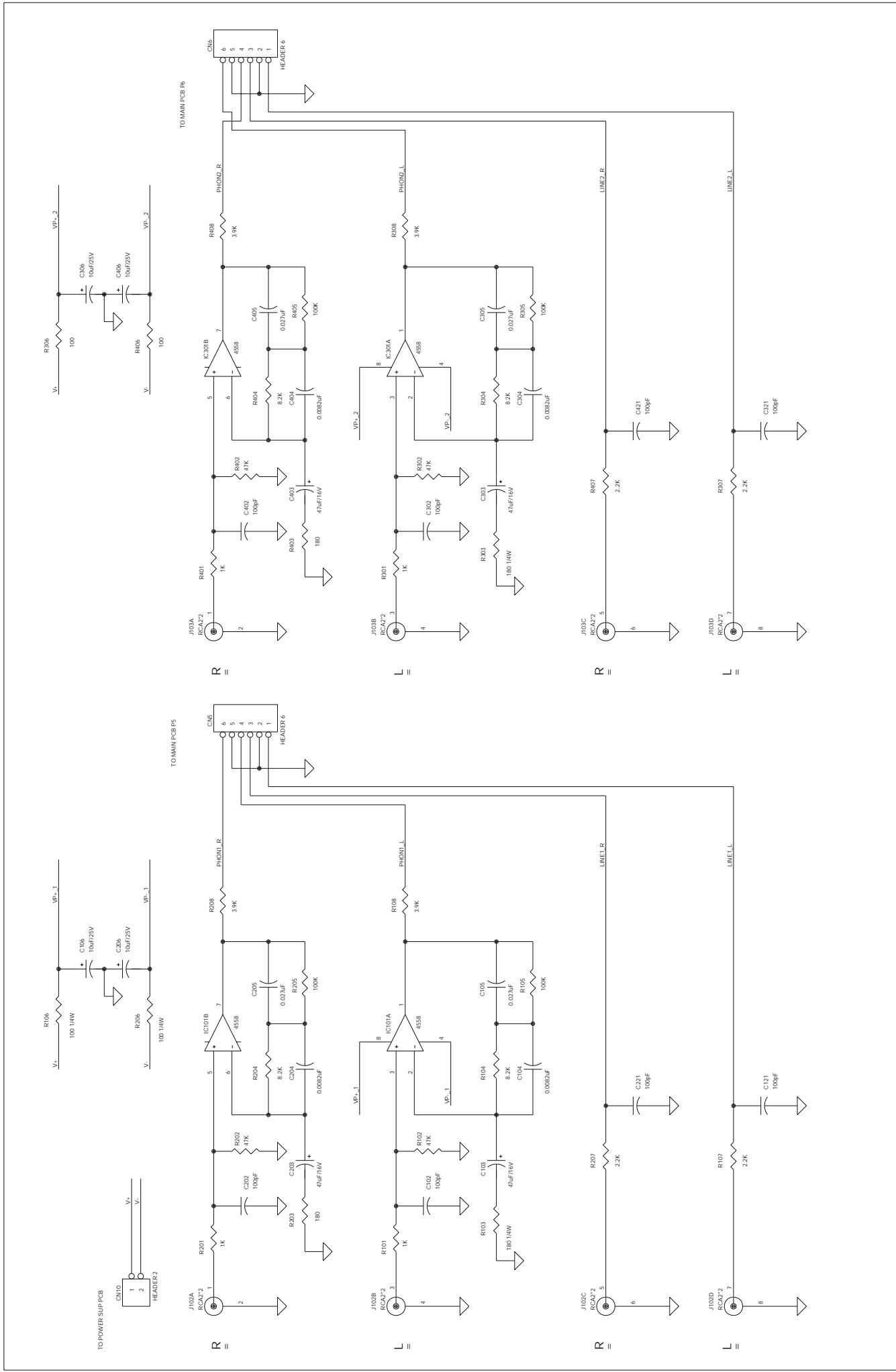
Rev	Document Number	Date
C	BX524	03/22/1994





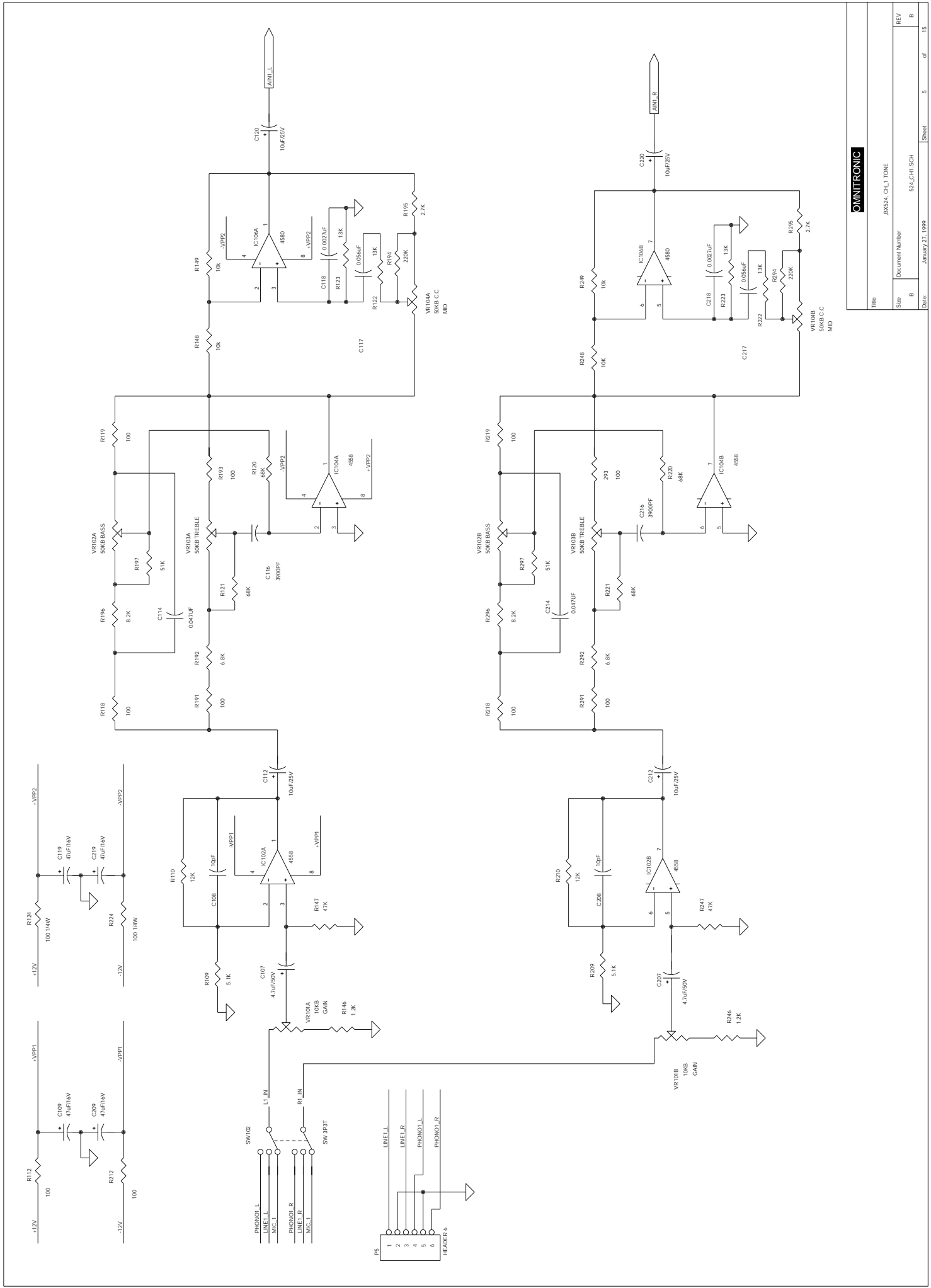
OMNITRONIC

Title		BX52-MIC_3 INPUT
Size	Document Number	MIC_2_3.SCH
B	Date	January 27, 1999
Sheet		2 of 15
REV	A	



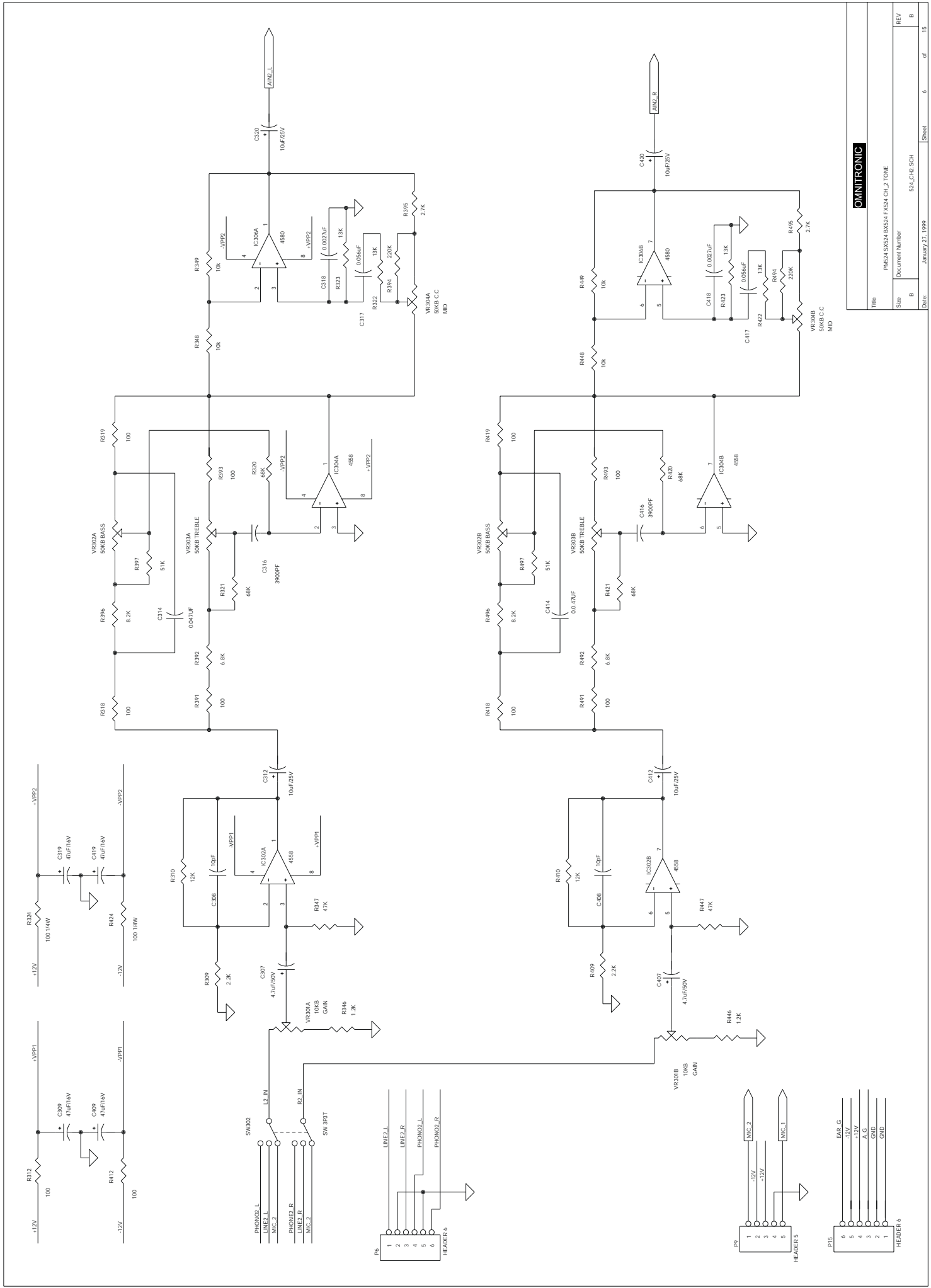
Title		REARCH_L_2 INOUT	
Size	Document Number	REAR1.SCH	
B			
Date	January 14, 1999	Sheet	3 of 15

OMNITRONIC



OMNITRONIC

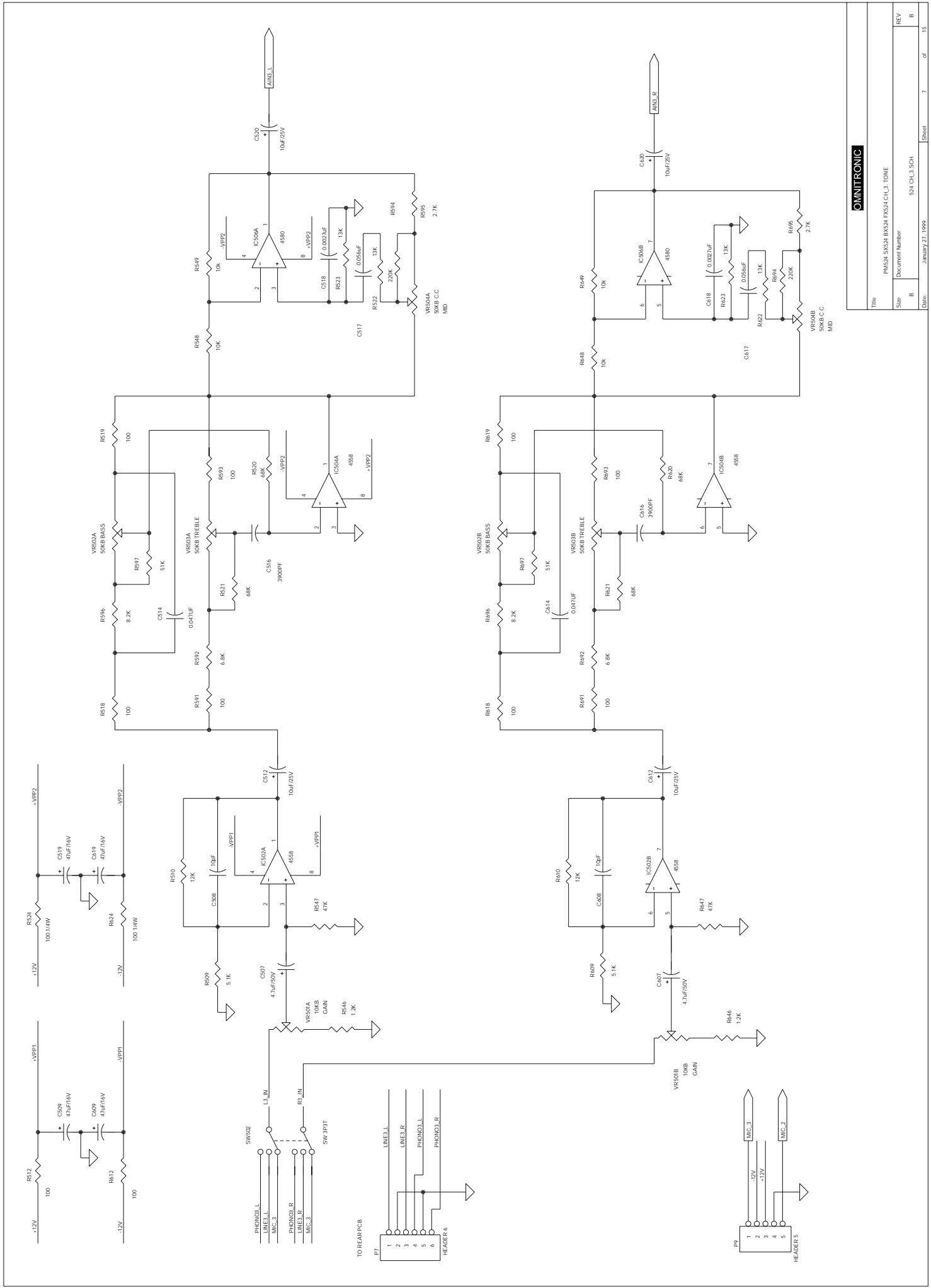
Title	.BAS31, C/L 1 TONE		
Size	B	Document Number	524_C/L1_SCH
Date	January 27, 1999	Sheet	5 of 15
REV	B		



OMNITRONIC

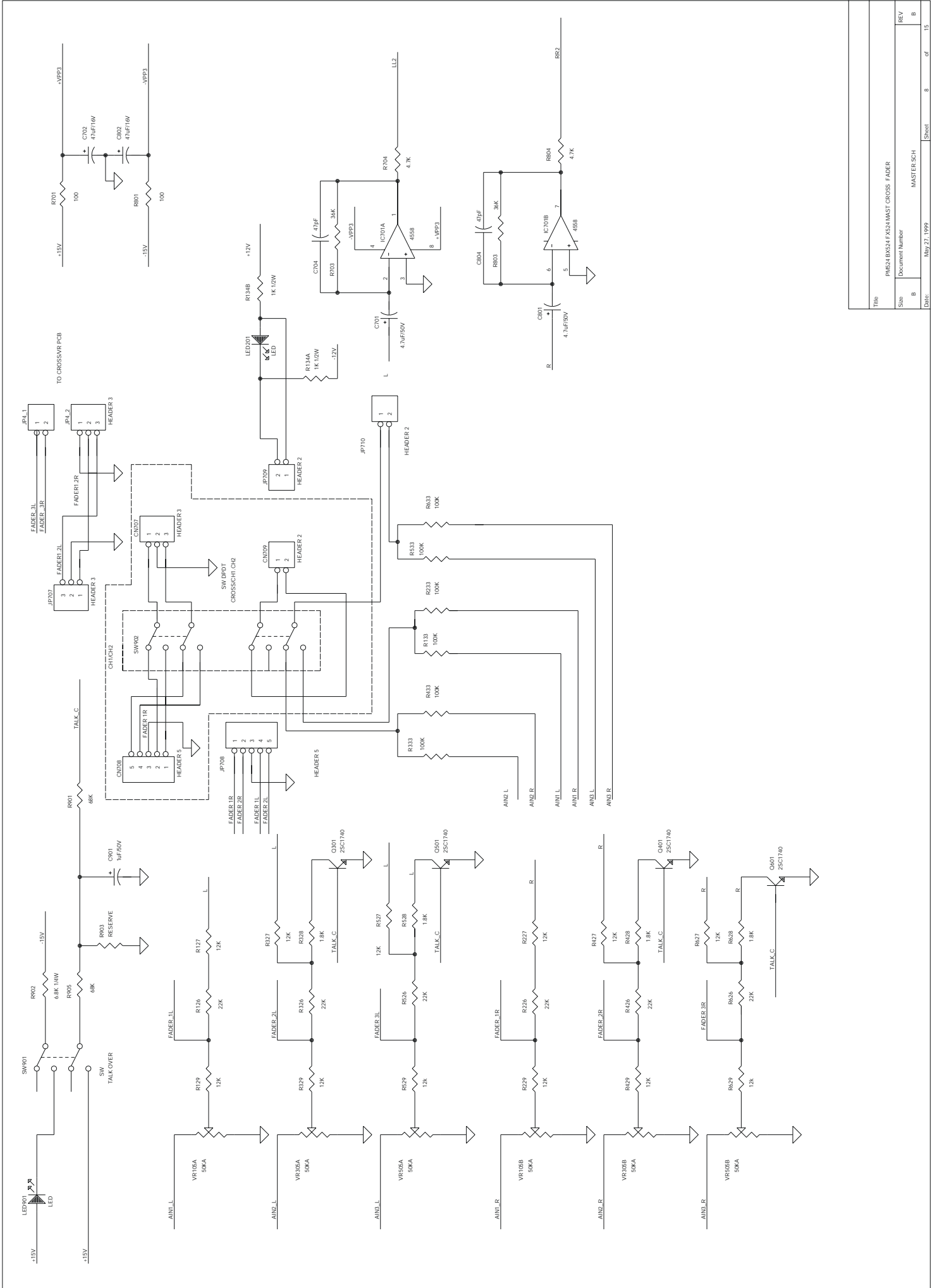
Title	PN624-55324-183524-FREQ CHJ TONE
Size	Document Number
Date	January 27, 1999
Sheet	6 of 15
REV	B

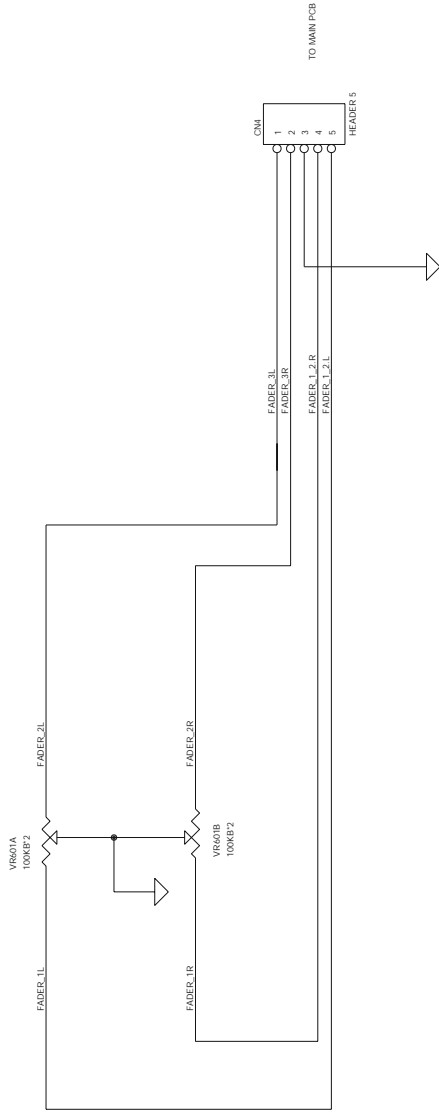
PT5	6	EAR_G
	5	12V
	4	2V
	3	AG
	2	GND
	1	GND
HEADER 6		



Time	PM524 SXS24 BXS24 FXS24 CL3 TONE
Size	Document Number
B	524 CL3 SCH
Date	January 27, 1999
Sheet	7 of 15

OMNITRONIC





Title: PM24 SX SX BX SX FX SX CROSSFADER

Size: B Document Number: FADER.SCH

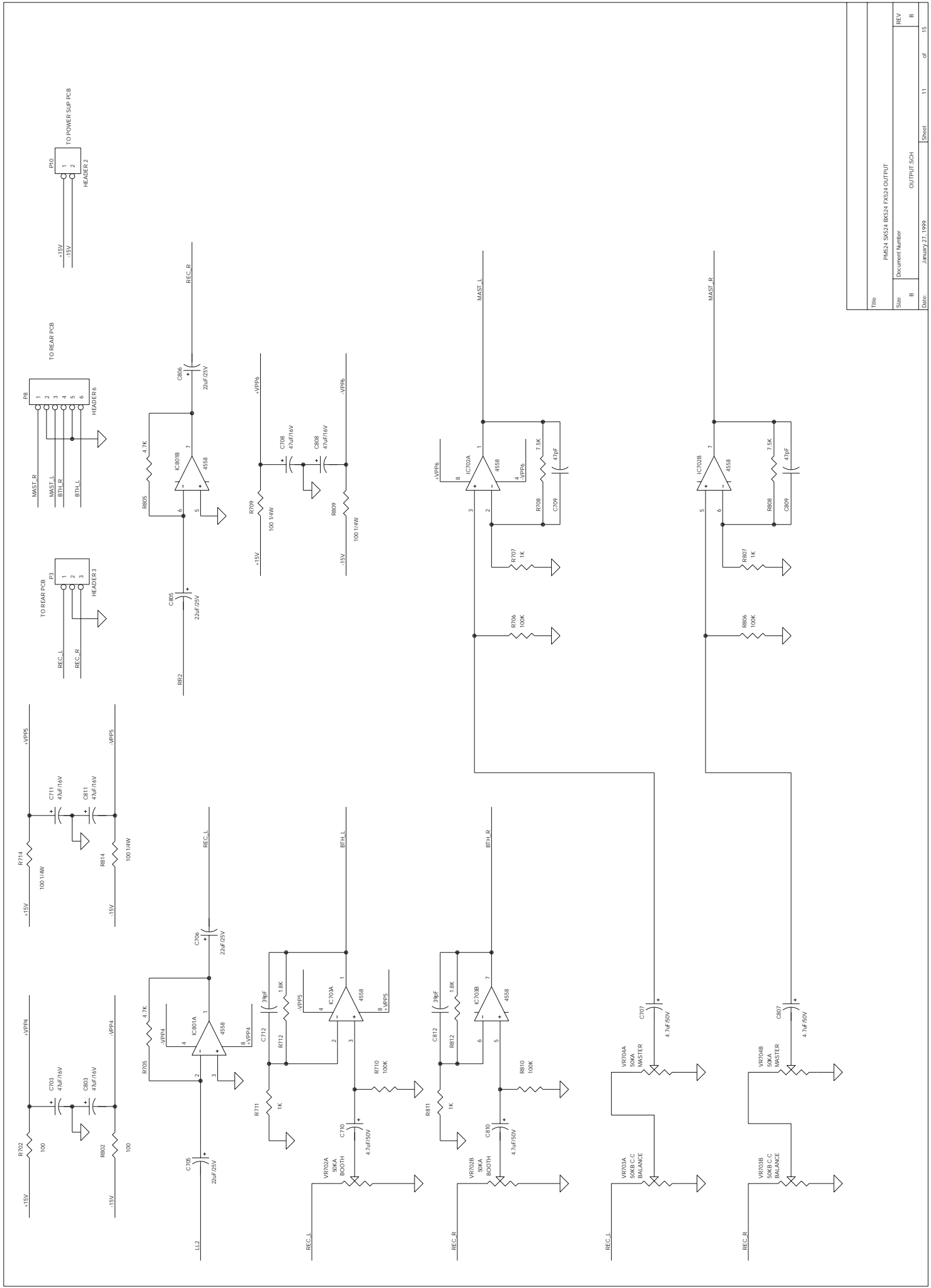
Date: January 15, 1999

Sheet 9 of 15

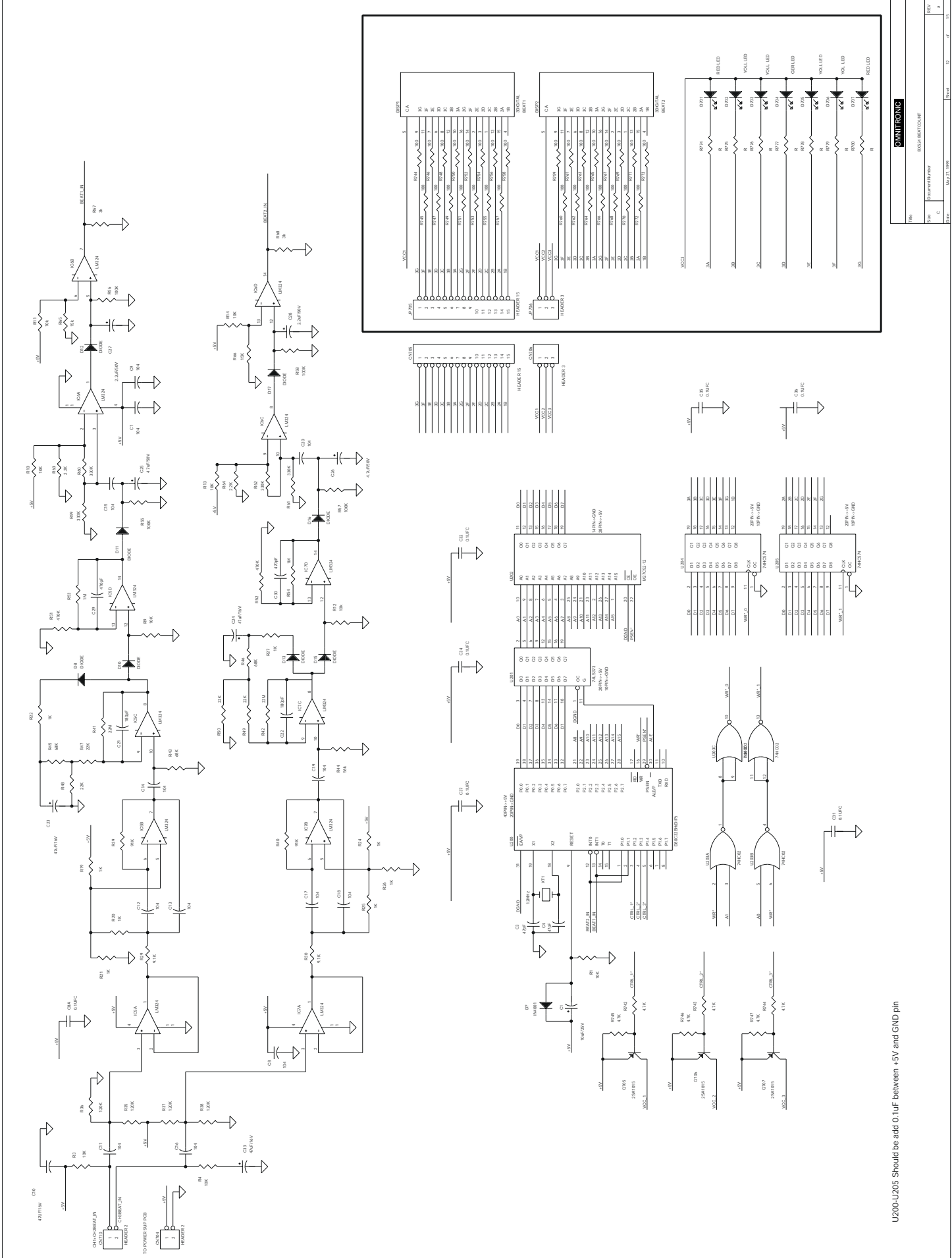
REV

B

15

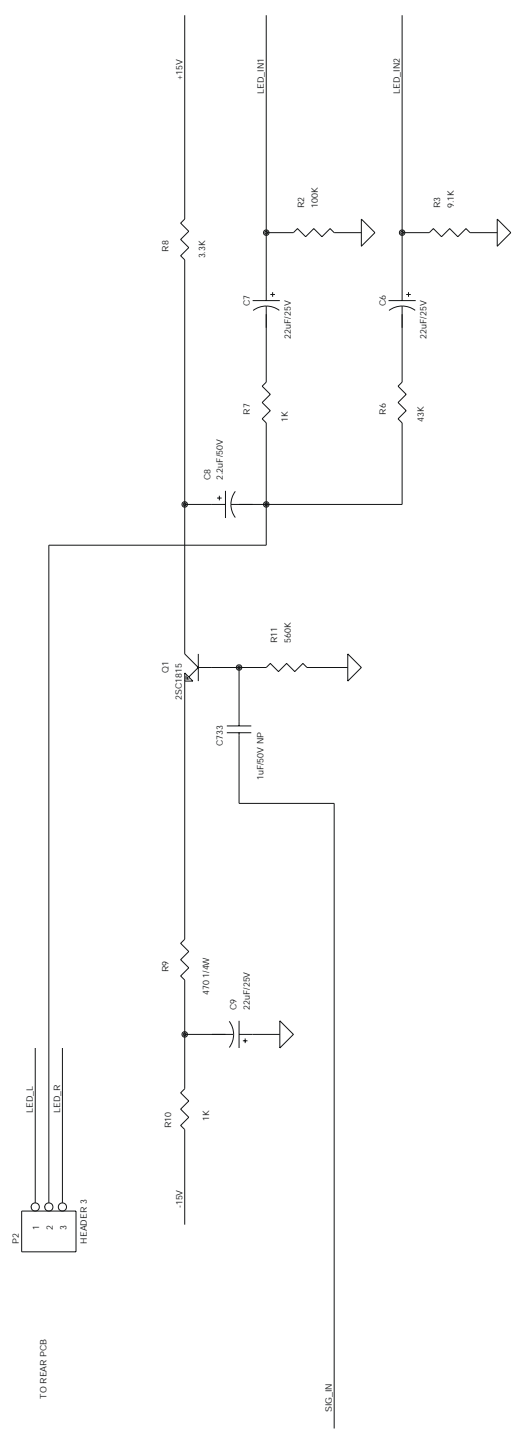
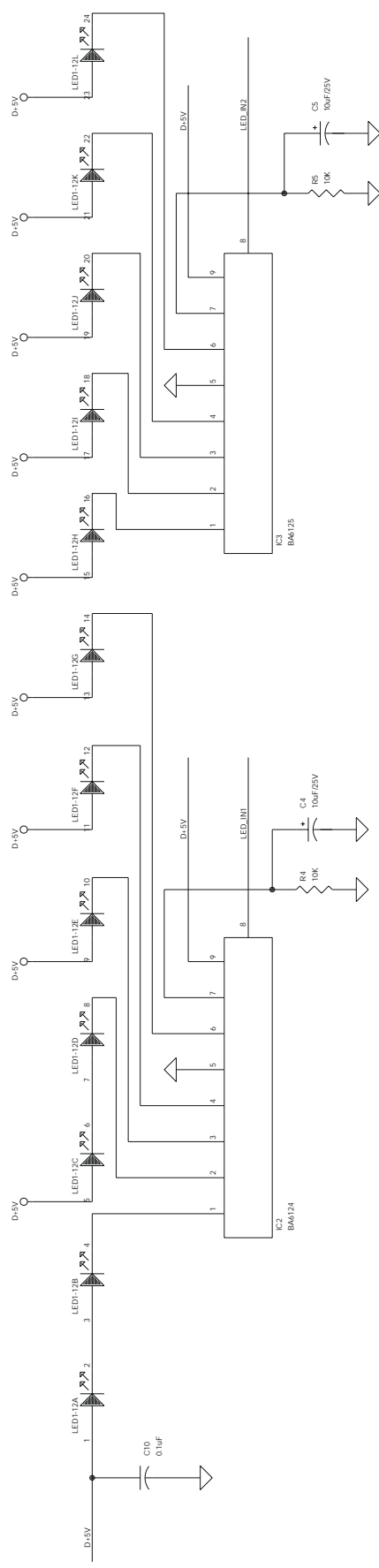


Title	PME24-SGS24-BK524-FS24-OUTPUT		
Size	B	Document Number	OUTPUT-SCH
Date	January 27, 1999	Sheet	11 of 15

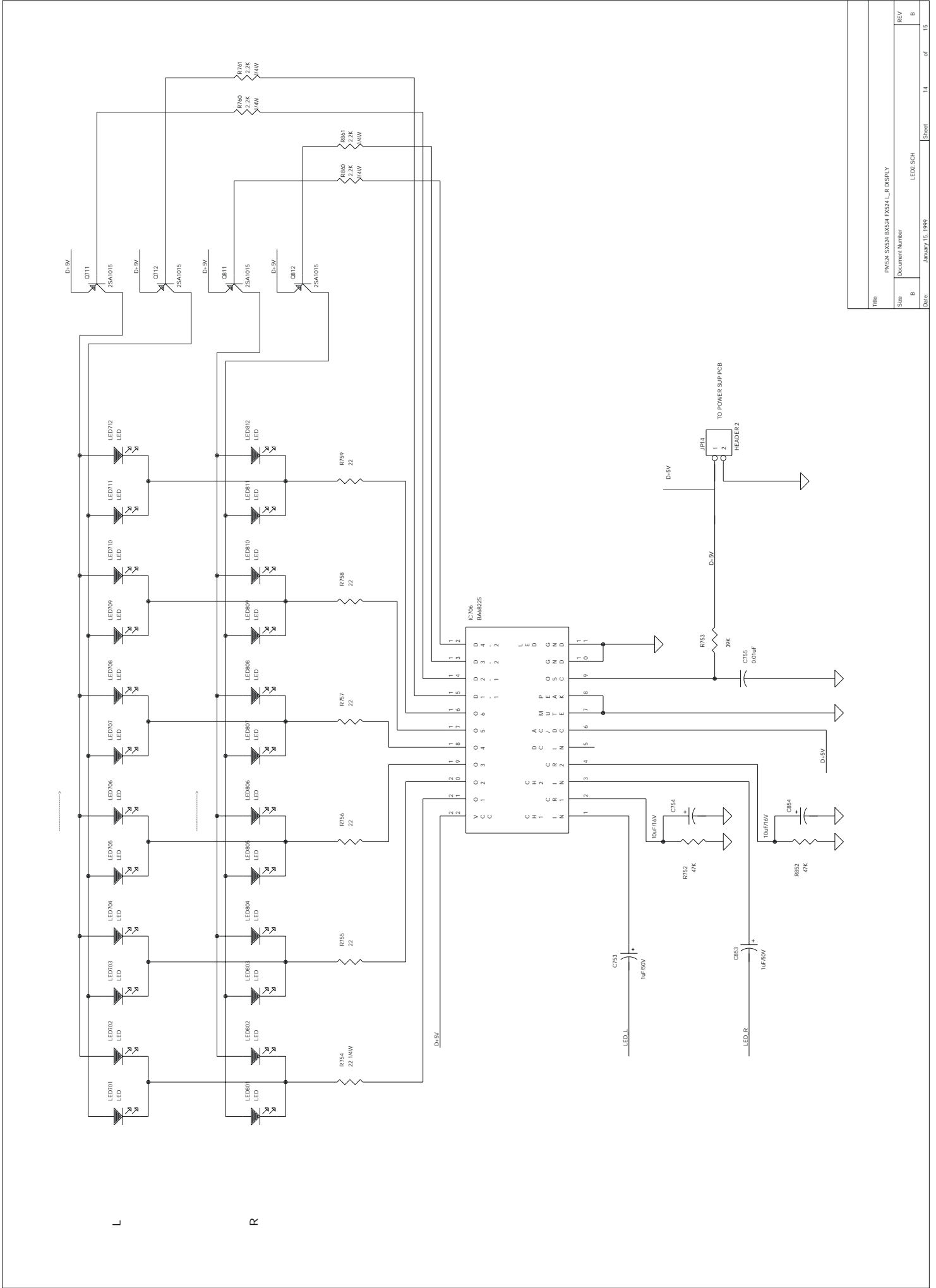


U200-U205 Should be add 0.1uF between +5V and GND pin

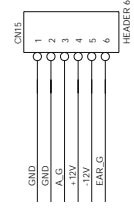
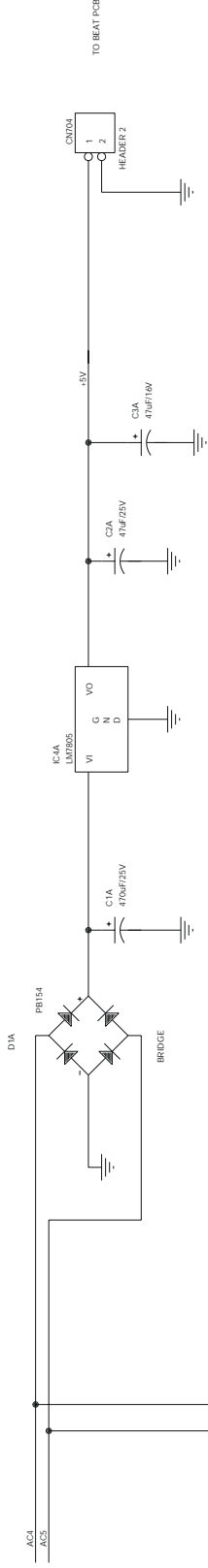
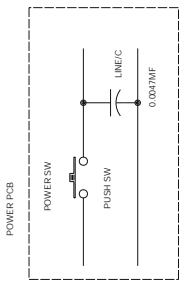
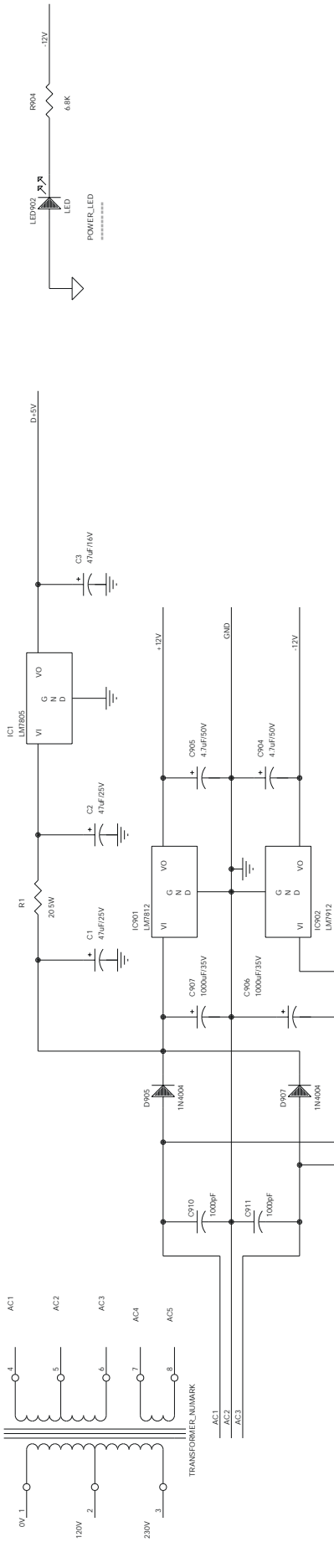
COMMITRONIC



OMNITRONIC	
Title	BX524 - GLE DISPLAY
Size	Document Number
B	LED1.SCH
Date	January 15, 1999
Sheet	13 of 15



Time	PM524 S0524 B0524 FK524L_R_DISPLAY
Size	Document Number
B	LED2.SCH
Date:	January 15, 1999
Sheet	14 of 15



OMNITRONIC

Title	5K524 BX524 POWER SUP
Size	Document Number
Doc	January 18, 1999
REV	B
Sheet	15 of 15