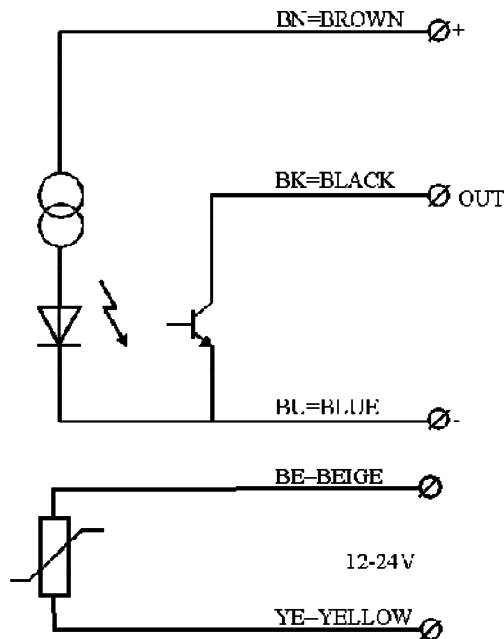
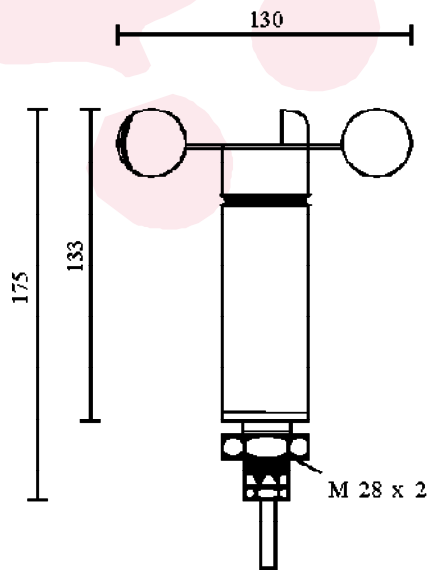




The PV 05-2H is an anemometer, which is used for starting and stopping the wind turbine in connection with Mita-Teknik's wind turbine electronics . PV 05-2H registers the wind speed in a precise and secure way.

- Optoelectronic sensor pickup action.
- Registers wind speeds from 2 to 30 m/s.
- The rotor is made of varnished stainless steel.
- The casing is made of PVC.
- Equipped with 10 m PVC cable.
- Fastening: External thread M 28 x 2.
- Thermostat controlled heating unit prevents stop caused by icing up.
- Part no.: 7690222.

ANEMOMETER PV05-2H


PV05-2H

2 m/s	13Hz
3 -	19 -
4 -	26 -
5 -	34 -
6 -	43 -
7 -	53 -
8 -	64 -
9 -	75 -
10 -	86 -
11 -	97 -
12 -	108 -
13 -	119 -
14 -	130 -
15 -	141 -
16 -	152 -
17 -	163 -
18 -	174 -
19 -	185 -
10 -	196 -
21 -	207 -
22 -	218 -
23 -	229 -
24 -	240 -
25 -	251 -
26 -	262 -
27 -	273 -
28 -	284 -
29 -	295 -
30 -	306 -

TECHNICAL DATA		MIN.	MAX.	
Heating unit	Supply	12	24	V DC/AC
	Consumption variable	0.1	2	A
	Consumption -20°C	10		W
	+20°C	5		W
Measuring range		2	30	m/s
Resolution			10	imp./RPM
Accuracy	< 10m/s	-1	+1	m/s
	> 10m/s	-0.3	+0.3	m/s
Signal output			40	mA
Open collector	NPN	12	30	V DC
Supply voltage		20	24	V DC
Load		-20		mA
Temperature			+50	°C
Weight			320	g

ANEMOMETER PV05-2H